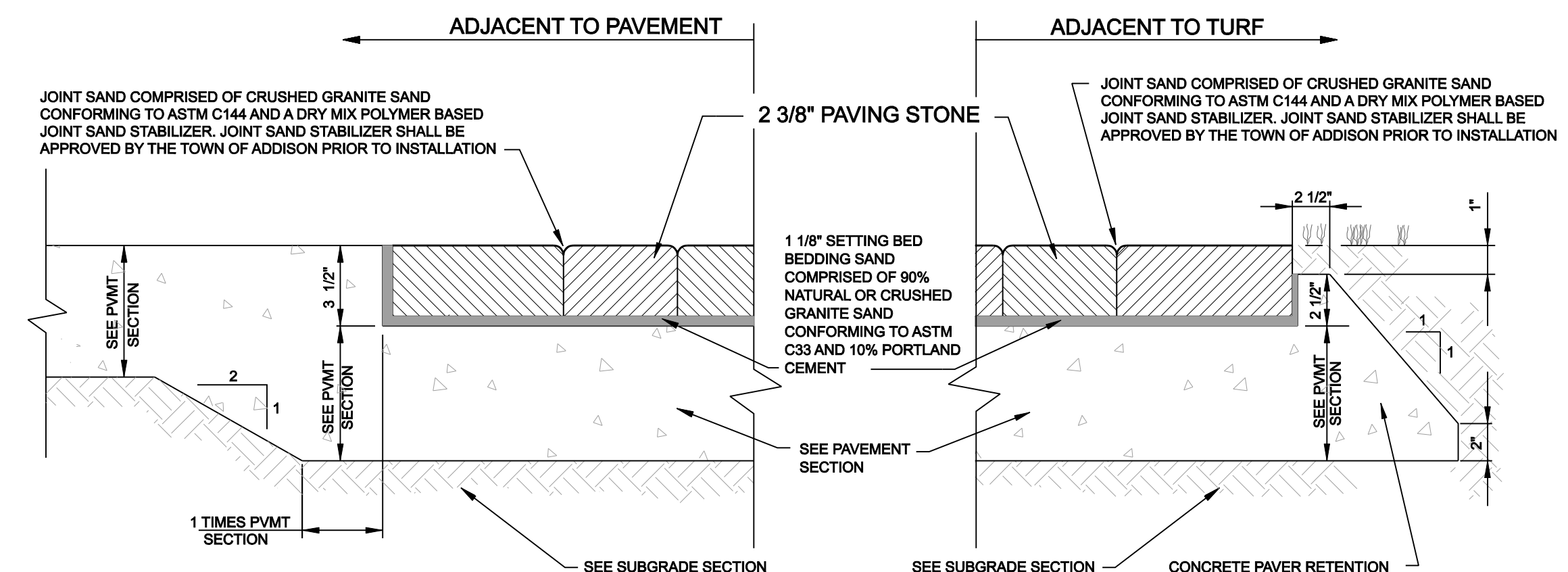


NOTE:  
CONTRACTOR SHALL CONFIRM THICKNESS OF FINAL PAVER SELECTION PRIOR TO POURING DROP SLABS IN THE SIDEWALKS OR STREETS

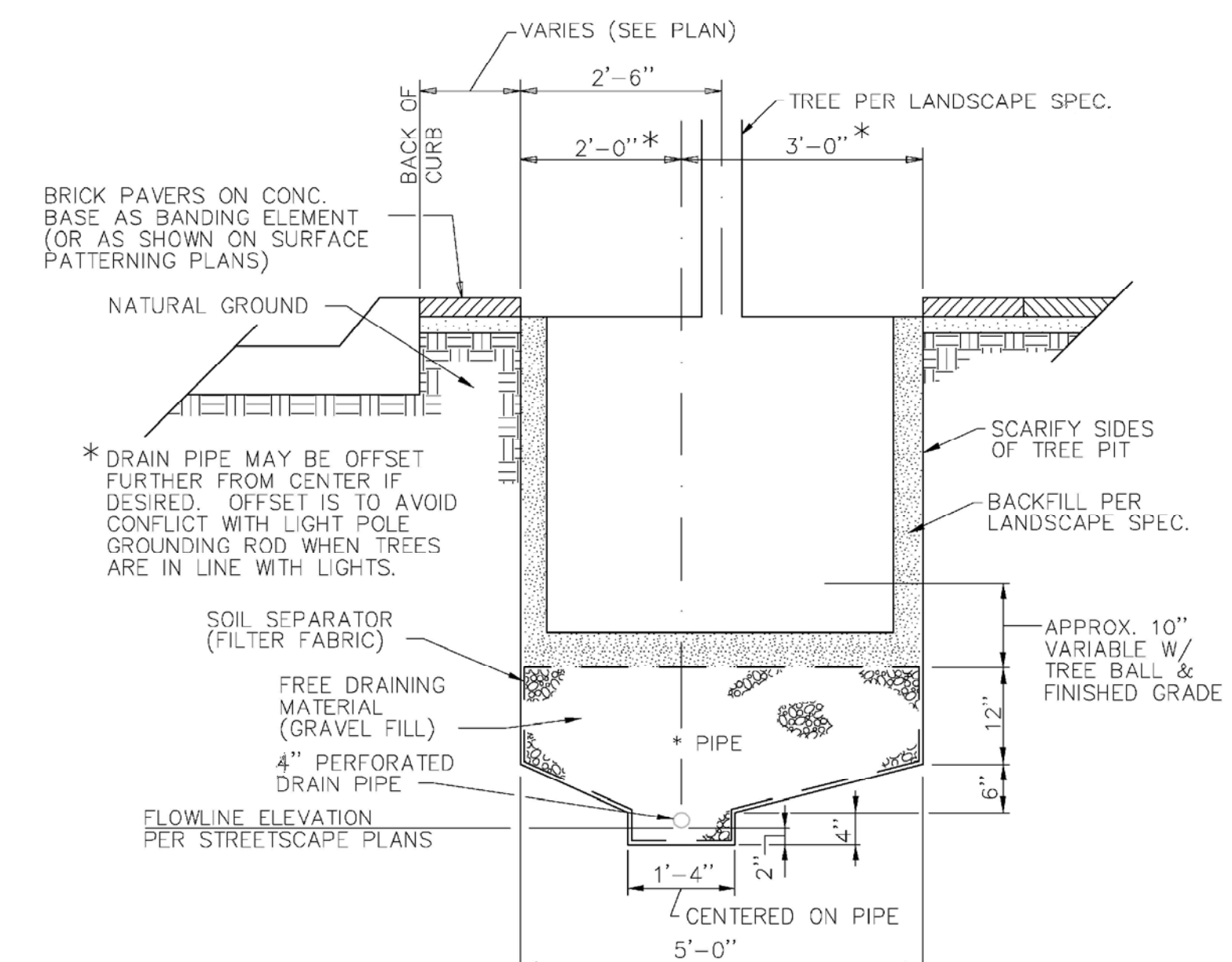
**STREET PAVERS ON CONCRETE DROP SLAB**  
NOT TO SCALE



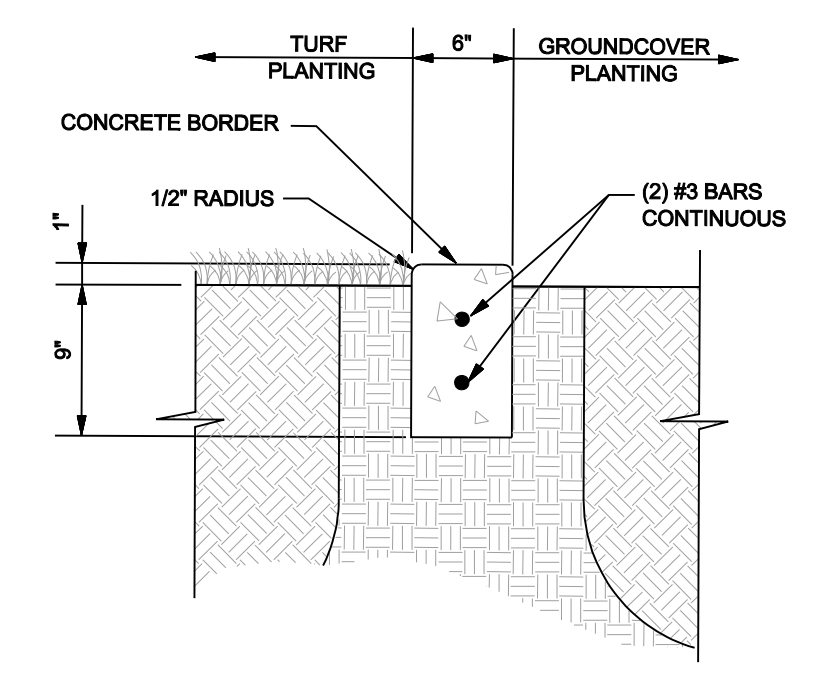
NOTE:  
CONTRACTOR SHALL CONFIRM THICKNESS OF FINAL PAVER SELECTION PRIOR TO POURING DROP SLABS IN THE SIDEWALKS

NOTE:  
CONTRACTOR SHALL CONFIRM THICKNESS OF FINAL PAVER SELECTION PRIOR TO POURING DROP SLABS IN THE SIDEWALKS OR STREETS

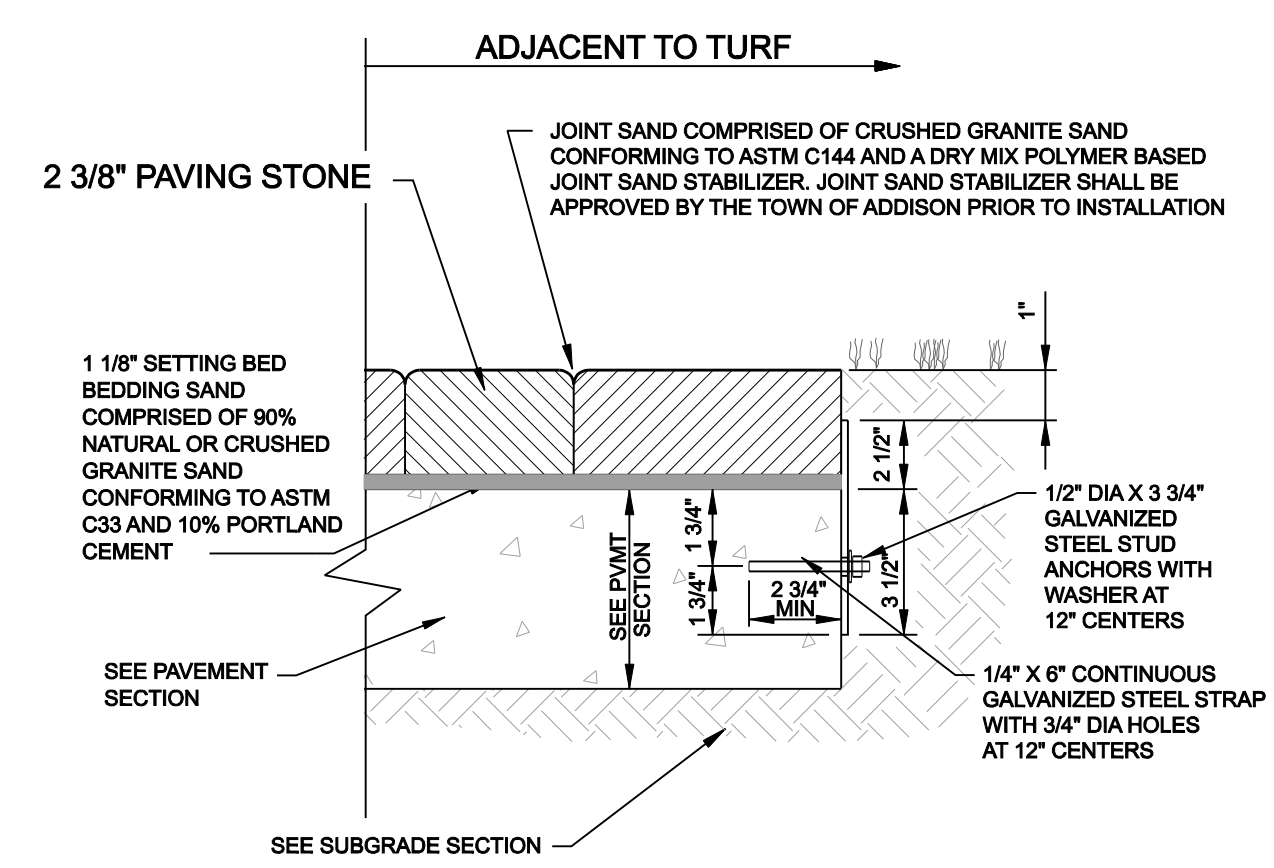
**PAVERS ON CONCRETE DROP SLAB**  
NOT TO SCALE



**SUBSURFACE DRAIN SYSTEM DETAIL**  
(SECTION PERPENDICULAR TO CURB)  
N.T.S.  
(TO BE USED ON ALL TREES UNLESS OTHERWISE NOTED)

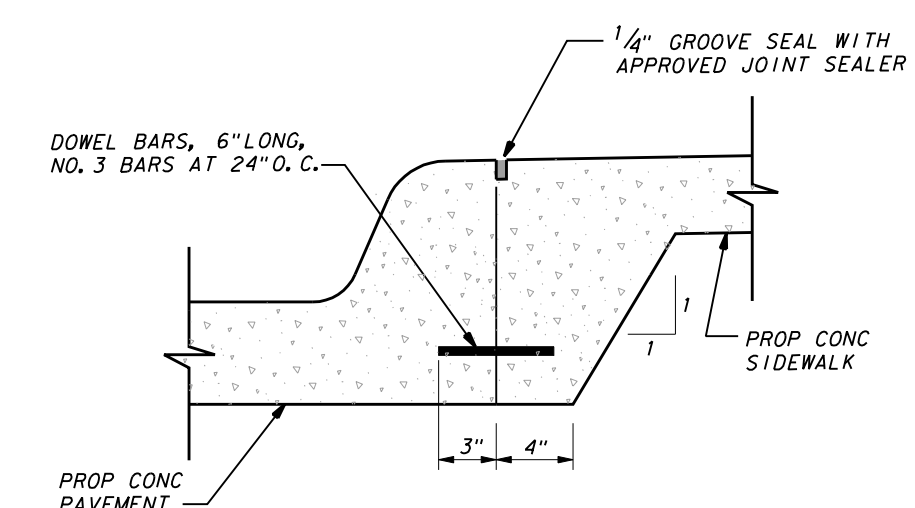


**CONCRETE BORDER**  
NOT TO SCALE

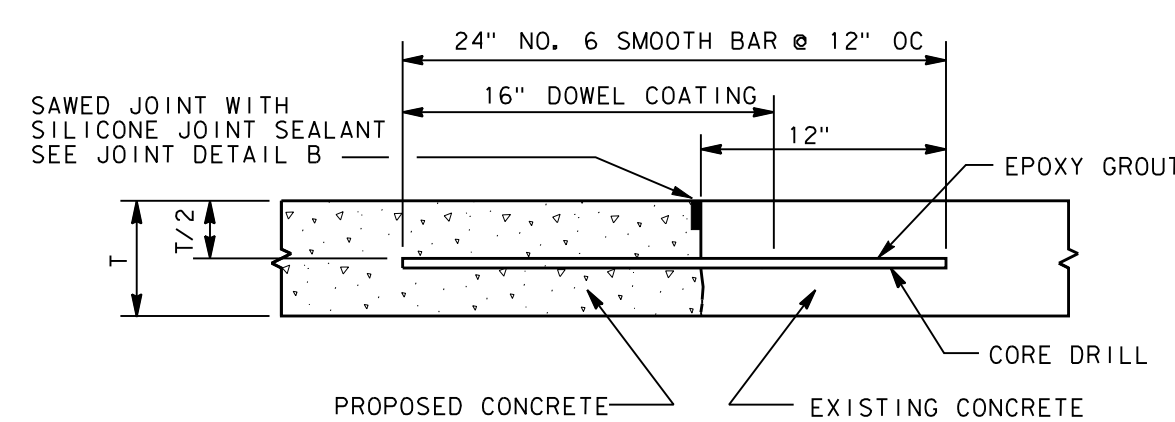


CONTRACTOR SHALL CONFIRM THICKNESS OF FINAL PAVER SELECTION PRIOR TO POURING DROP SLABS IN THE SIDEWALKS OR STREETS

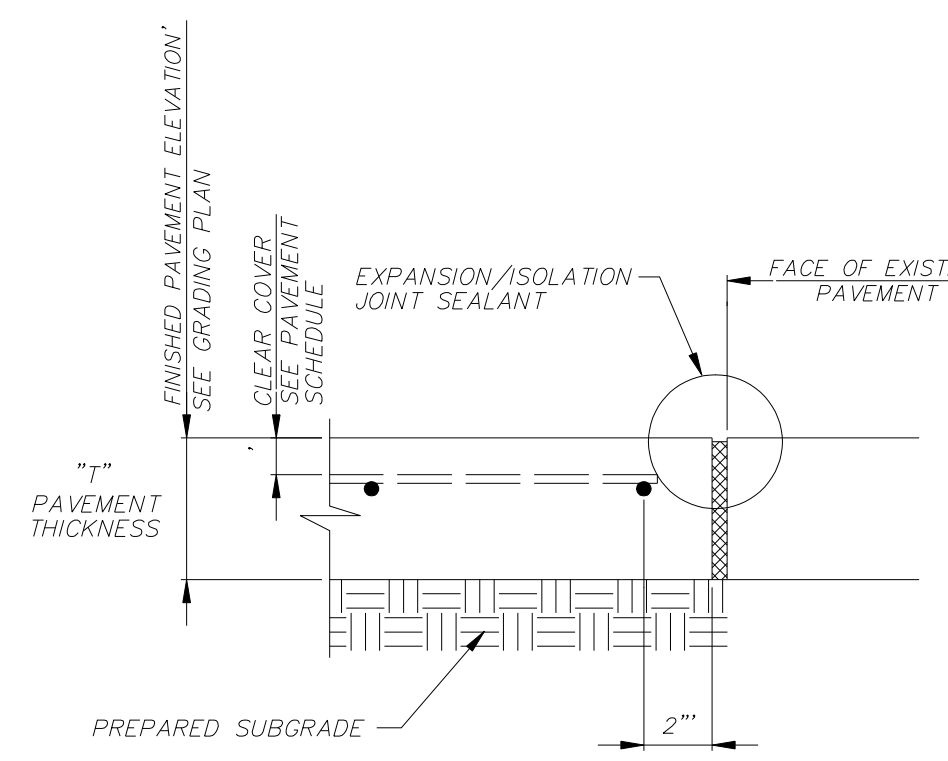
**ALTERNATE PAVER RETENTION ON CONCRETE DROP SLAB**  
NOT TO SCALE



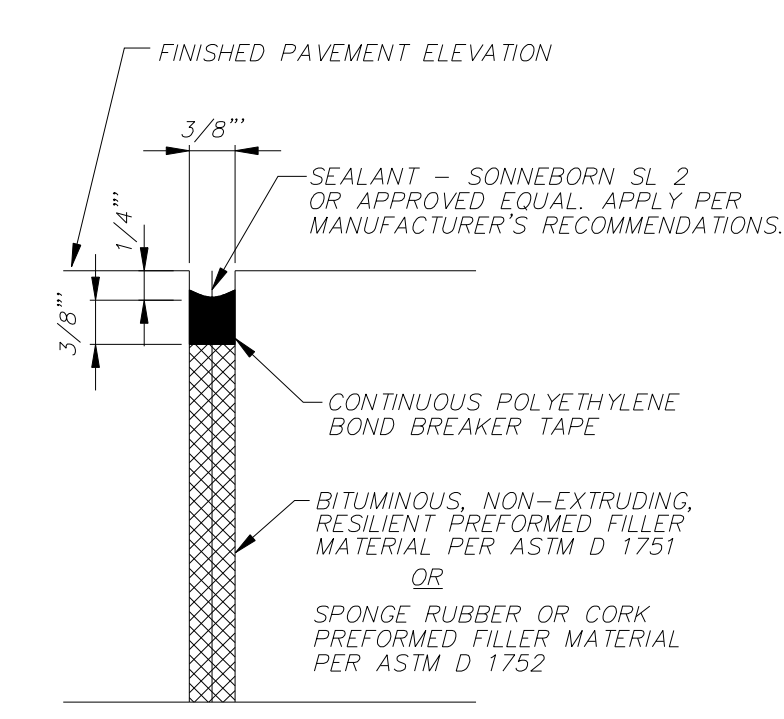
**JOINT DETAIL FOR SIDEWALK ADJACENT TO CURB**  
NOT TO SCALE



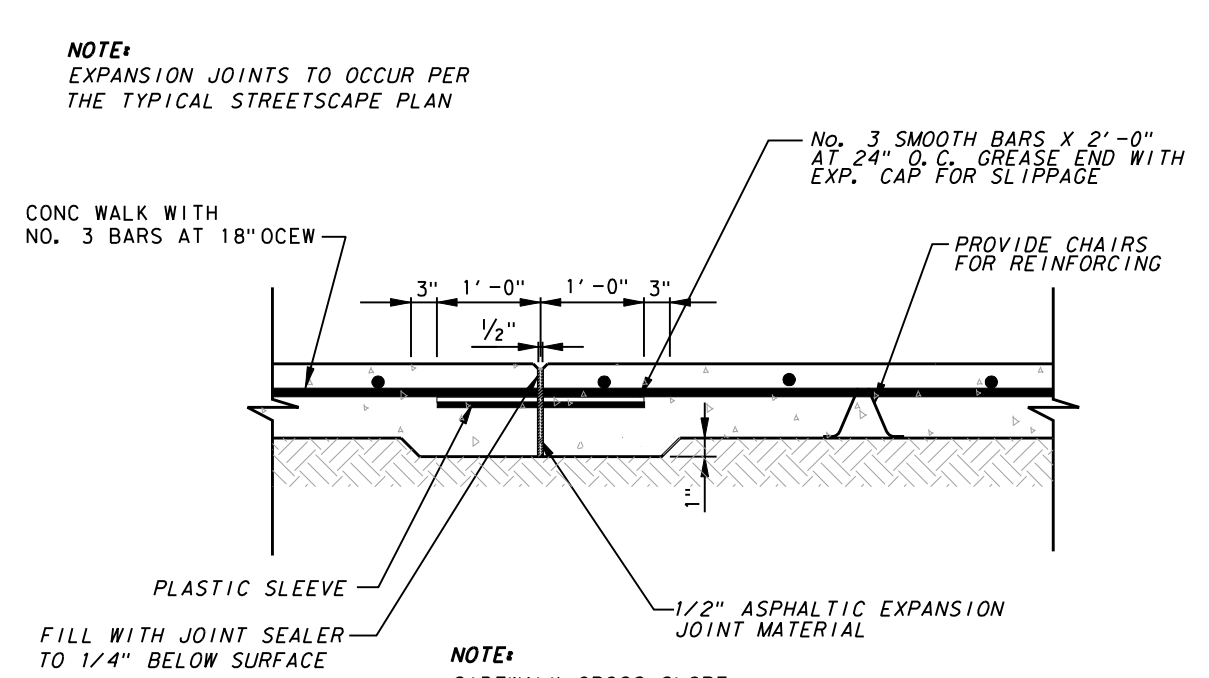
**PROPOSED TO EXISTING CONCRETE PAVEMENT**  
NOT TO SCALE



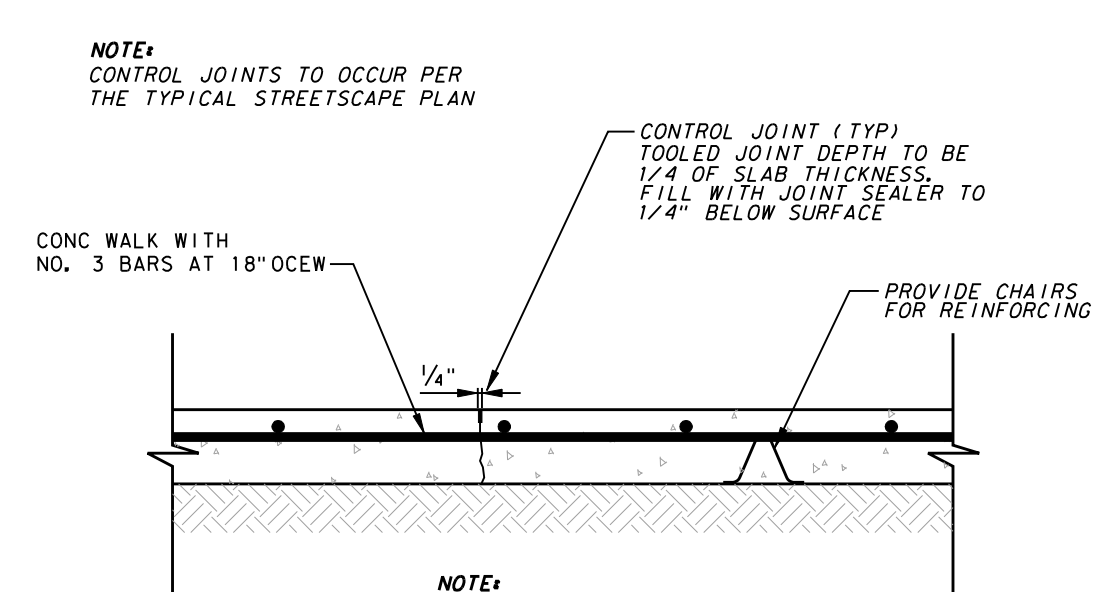
**EXPANSION / ISOLATION JOINT**  
NOT TO SCALE



**EXPANSION / ISOLATION JOINT SEALANT**  
NOT TO SCALE



**STREETSCAPE SIDEWALK EXPANSION JOINT**  
NOT TO SCALE



**STREETSCAPE SIDEWALK CONTROL JOINT**  
NOT TO SCALE



NO.	REVISION	BY	DATE

**icon Consulting Engineers, Inc.** 2840 W. Southlake Blvd., Suite 110  
Civil Engineers - Designers - Planners Southlake, TX 76092 (817) 552-6210  
Engineering Firm Registration Number F-9007

**VW2 STREETSCAPE IMPROVEMENTS**  
**VP PUBLIC INFRASTRUCTURE - PHASE 5, BLOCK 200B**  
**TOWN OF ADDISON, TEXAS**  
**STREETSCAPE PAVING DETAILS**

DESIGN	DRAWN	DATE	SCALE	NOTES	Sheet No.
ICE	ICE	NOV 17, 2020	AS NOTED		10

VW2 STREETSCAPE - VP PUBLIC INFRASTRUCTURE - PHASE 5, BLOCK 200B - PROJECT NO. 5029-06