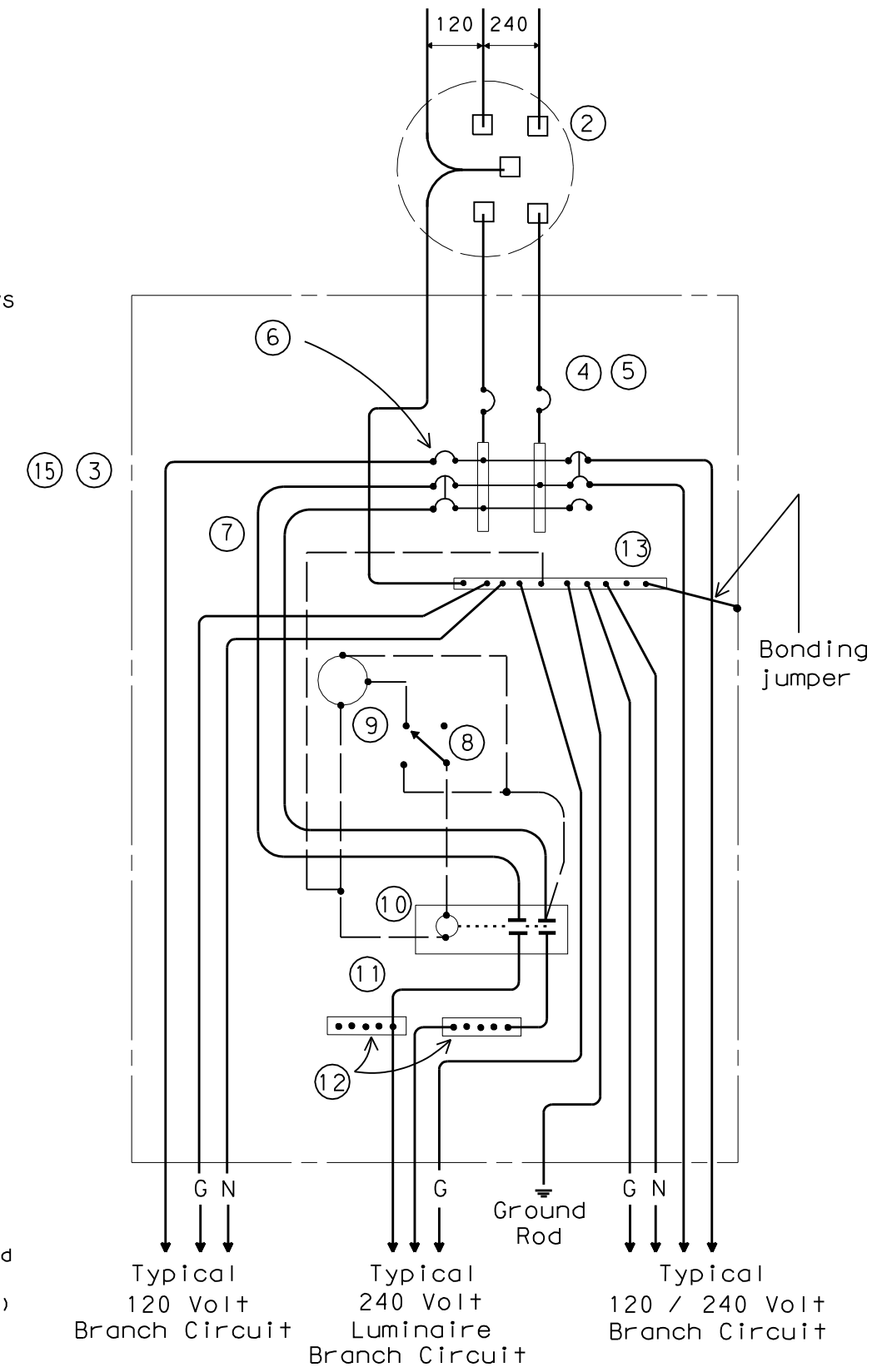


Two Photocell viewing windows not shown but required when photocell is listed as enclosure mounted.

**SCHEMATIC LEGEND**

- 1 - Omit
- 2 - Meter
- 3 - Service Assembly Enclosure
- 4 - Main Disconnect Breaker
- 5 - Lightning Arrestor - Delco LA302 or Eq
- 6 - Circuit Breakers
- 7 - Lighting Contactor Feed -
- 8 - Control Station ("H-O-A" Switch)
- 9 - Photo Electric Control (enclosure-mounted)
- 10 - Lighting Contactor -
- 11 - Power Distribution Block Feed -
- 12 - Power Distribution Terminal Blocks - SqB LBA or Eq
- 13 - Neutral/Ground Bus
- 14 - Omit
- 15 - Load Center

- Control Wiring
- Equipment grounding conductor always required
- N — Neutral Conductor (for 120 volt loads only)
- G — Power Wiring



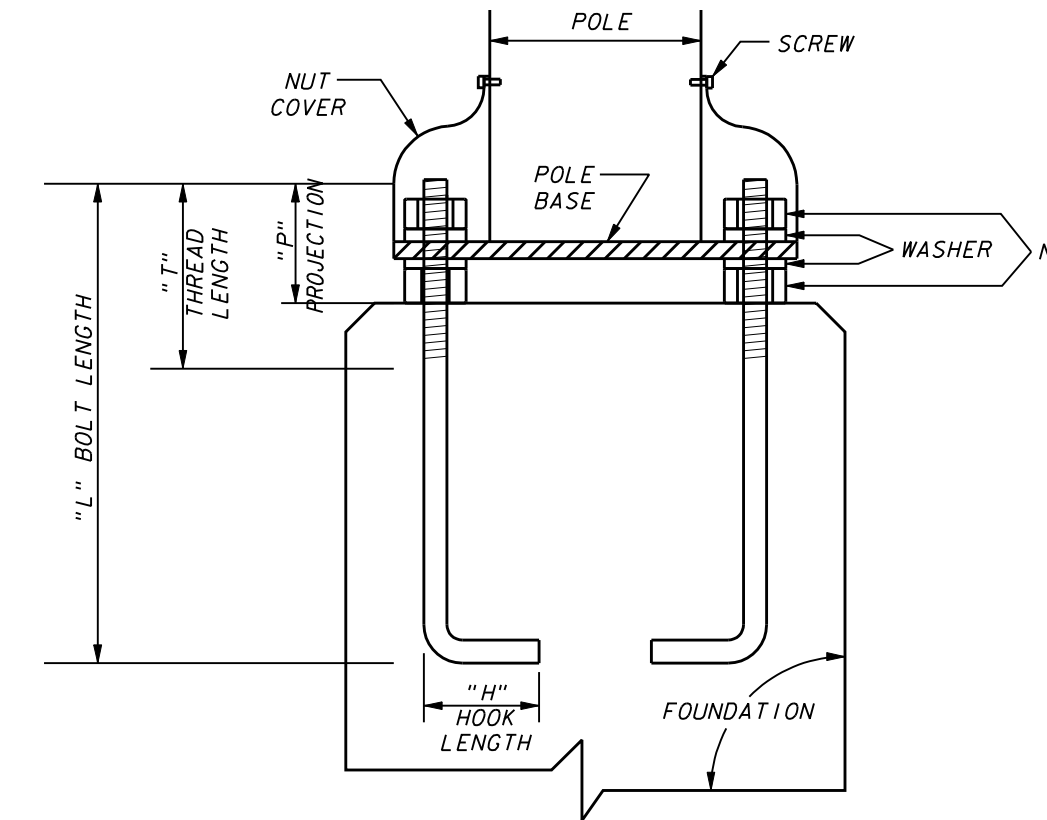
**SCHEMATIC TYPE D**

120/240 VOLTS - THREE WIRE

**TYPE D SERVICE NOTES**

Photocell and lighting contactor shall be located in the same UL type 3R enclosure with load center. There shall be a window on each side of enclosure to allow operation of photocell. Both photocell, contactor and breaker area shall have dead front trim. Type D load center with lighting controls shall have power distribution blocks for a minimum of 10, #4 conductors.

**EXISTING ELECTRIC SERVICE PEDESTAL SCHEMATIC**

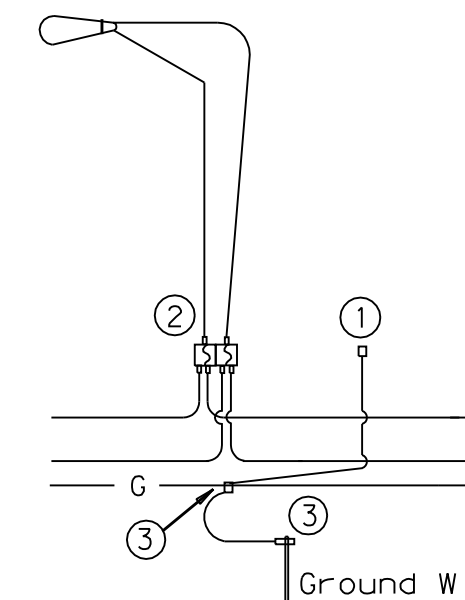


- NOTES:**
- USE ANCHOR BOLT TEMPLATE FURNISHED BY POLE MANUFACTURER FOR ANCHOR BOLT ALIGNMENT.
  - ALL EXPOSED HARDWARE TO BE STAINLESS STEEL.

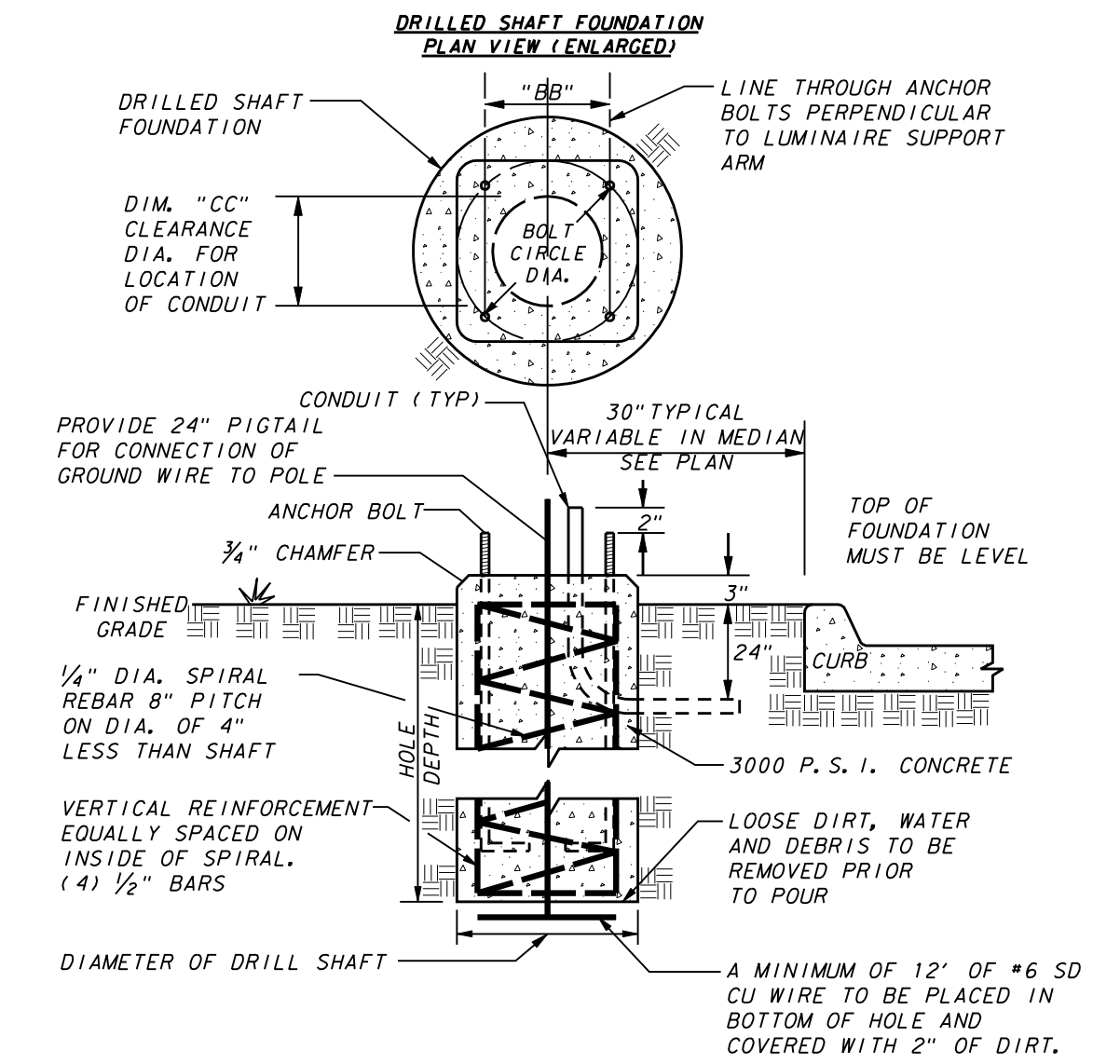
TYPE NO.	BOLT DIA. (IN.)	LENGTH (IN.)	HOOK (IN.)	THREAD (IN.)	PROJECTION (IN.)
45	3/4	17	3 1/2	5 1/2	3 1/2
47	1	36	4	6	4

SUPPLY 2 NUTS & 2 WASHERS WITH EACH BOLT

**ANCHOR BOLT DETAIL**

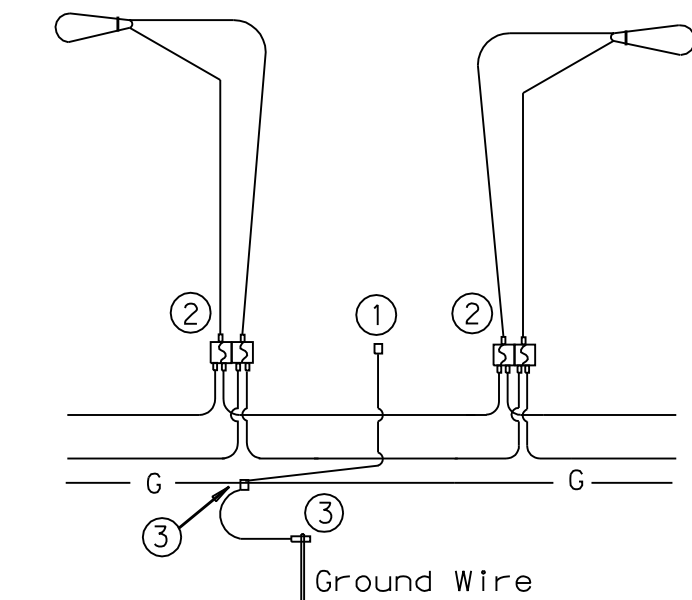


FOR THREE-WIRE CIRCUIT-CENTER GROUNDED LUMINAIRES SERVED AT 240V FOR 120/240 VOLT SERVICE  
**SINGLE FIXTURE**



TYPE NO.	SHAFT DEPTH	BOLT CIRCLE DIA.	ANCHOR BOLT TYPE NO.	CONDUIT CLEARANCE DIM. "CC"	DISTANCE ACROSS BOLTS DIM "BB"
1	60"	18"	9 1/2"	4 1/2"	6 3/4"
2	60"	18"	9 1/2"	4 1/2"	6 3/4"
3	72"	24"	11 1/2"	7 1/2"	8 3/8"
4	72"	24"	11 1/2"	7 1/2"	8 3/8"

**DRILLED SHAFT FOUNDATION**



FOR THREE-WIRE CIRCUIT-CENTER GROUNDED LUMINAIRES SERVED AT 240V FOR 120/240 VOLT SERVICE  
**DOUBLE FIXTURE**

**NOTES:**

- Use threaded, copper or tin-plated copper, pole bonding connector, sized appropriately for conductors.
- Double-Pole In-line fuse and connector, sized appropriately for conductors. Bussmann TRON HEY with 2A0660 & 2A0661 Insulating Boots and LIMITRON KTK-R fast acting fuses or equal - 100W fixture use 1 amp fuses, 400 W fixture use 4 amp fuses.
- Split Bolt or other connector.

**ELECTRICAL CONNECTION DETAIL**



NO.	REVISION	BY	DATE

**icon Consulting Engineers, Inc.** 2840 W. Southlake Blvd., Suite 110  
Civil Engineers - Designers - Planners Southlake, Tx 76092 (817) 552-6210  
Engineering Firm Registration Number F-9007

**VW2 STREETSCAPE IMPROVEMENTS**  
**VP PUBLIC INFRASTRUCTURE - PHASE 5, BLOCK 200B**  
**TOWN OF ADDISON, TEXAS**

**STREET LIGHT DETAILS**

DESIGN	DRAWN	DATE	SCALE	NOTES	Sheet No.
ICE	ICE	NOV 17, 2020	AS NOTED		<b>12</b>