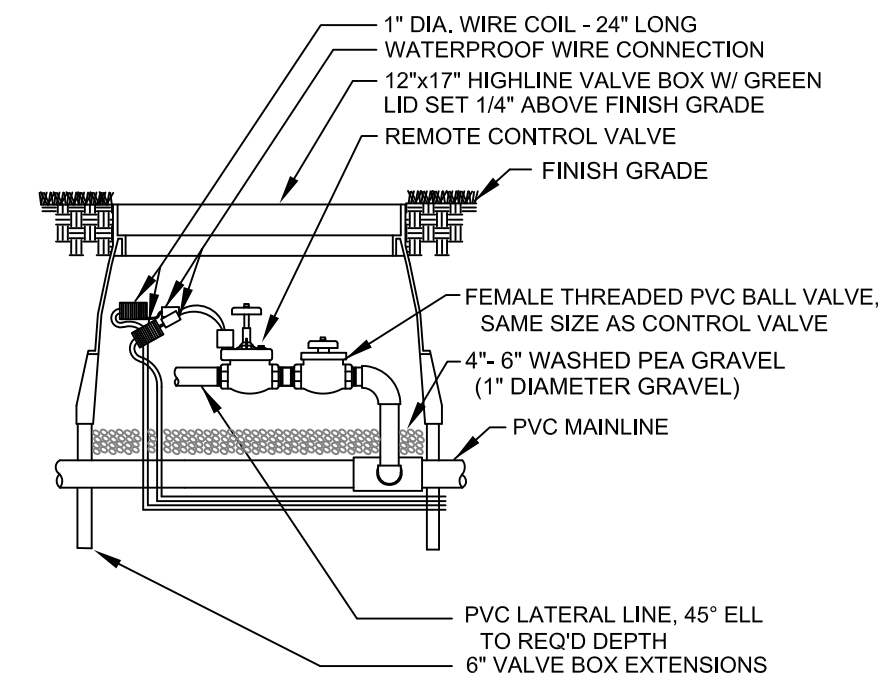


QUICK COUPLING VALVE W/ BALL VALVE

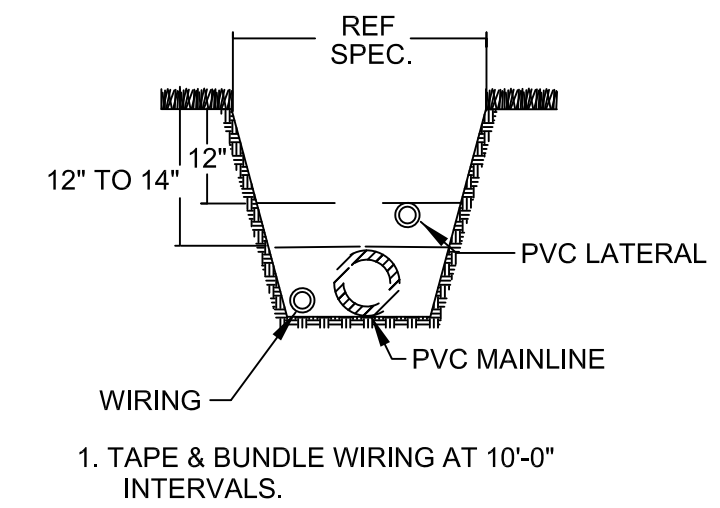
NOT TO SCALE SHEDC



REMOTE CONTROL VALVE W/ BALL VALVE

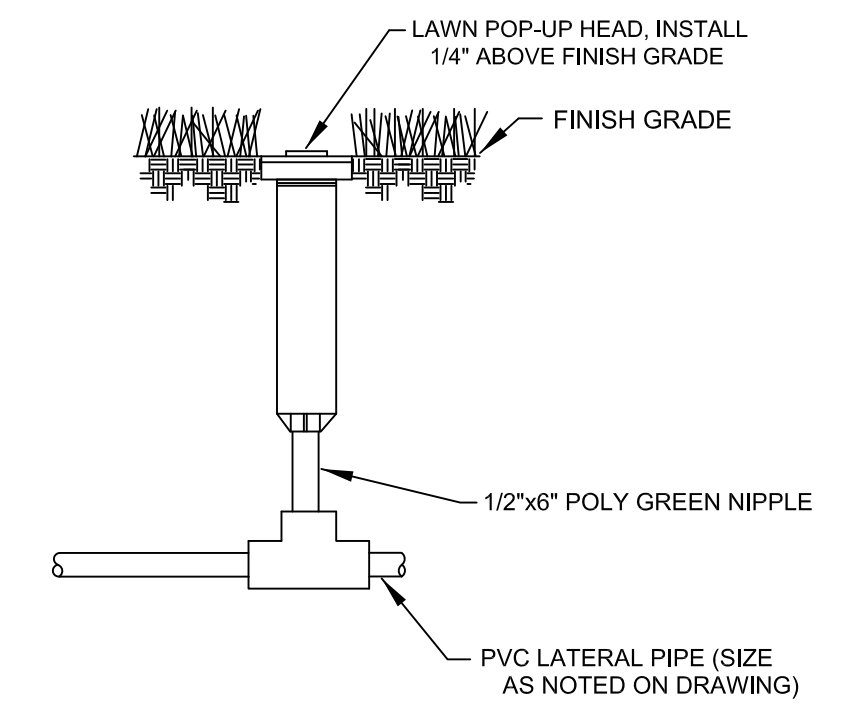
NOT TO SCALE SHEDC

MAINLINE, LATERAL, AND WIRING



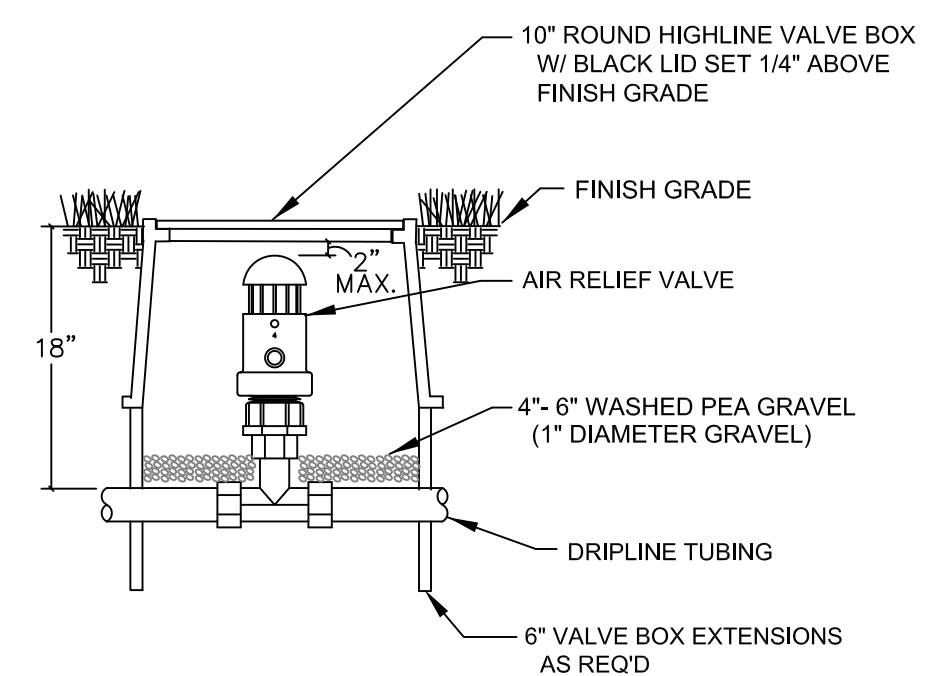
TRENCHING DETAIL

NOT TO SCALE SHEDC



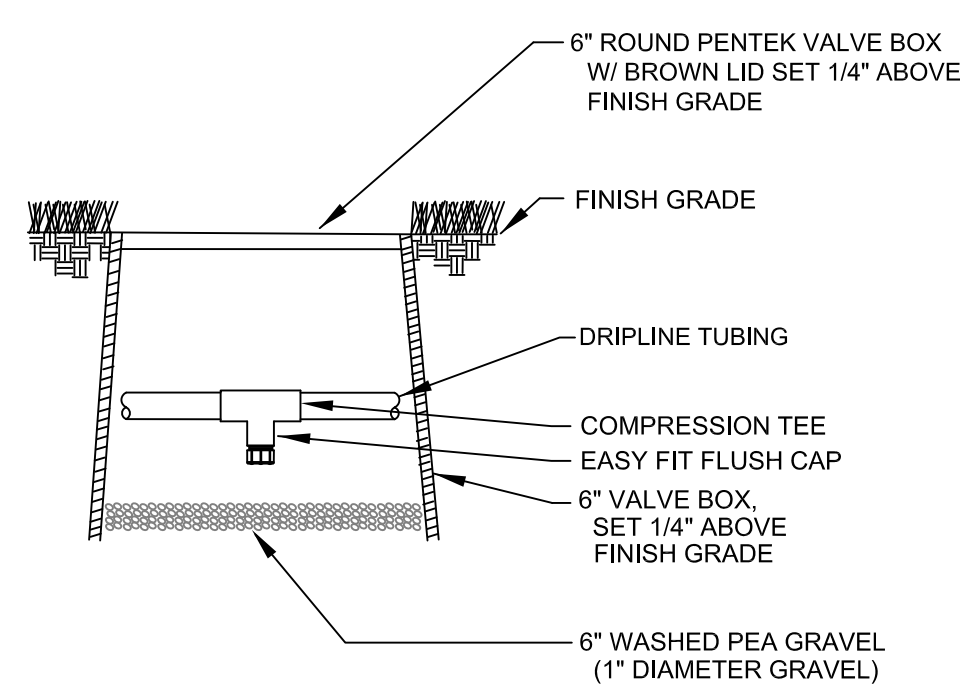
LAWN SPRAY HEAD

NOT TO SCALE SHEDC



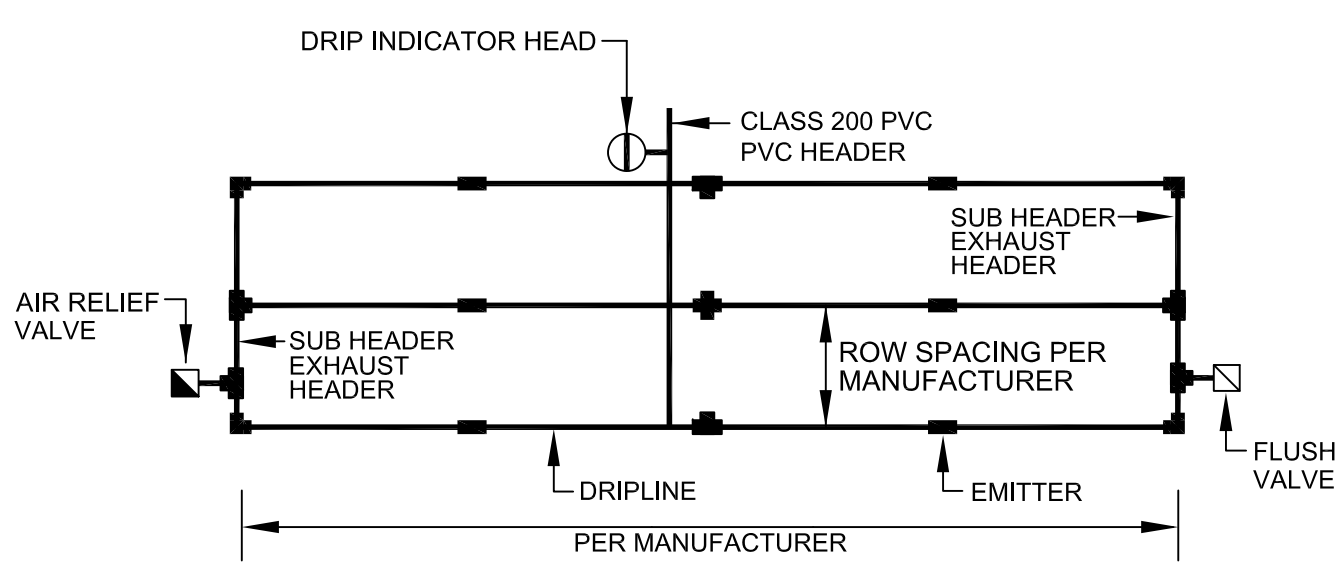
AIR RELIEF VALVE

NOT TO SCALE SHEDC



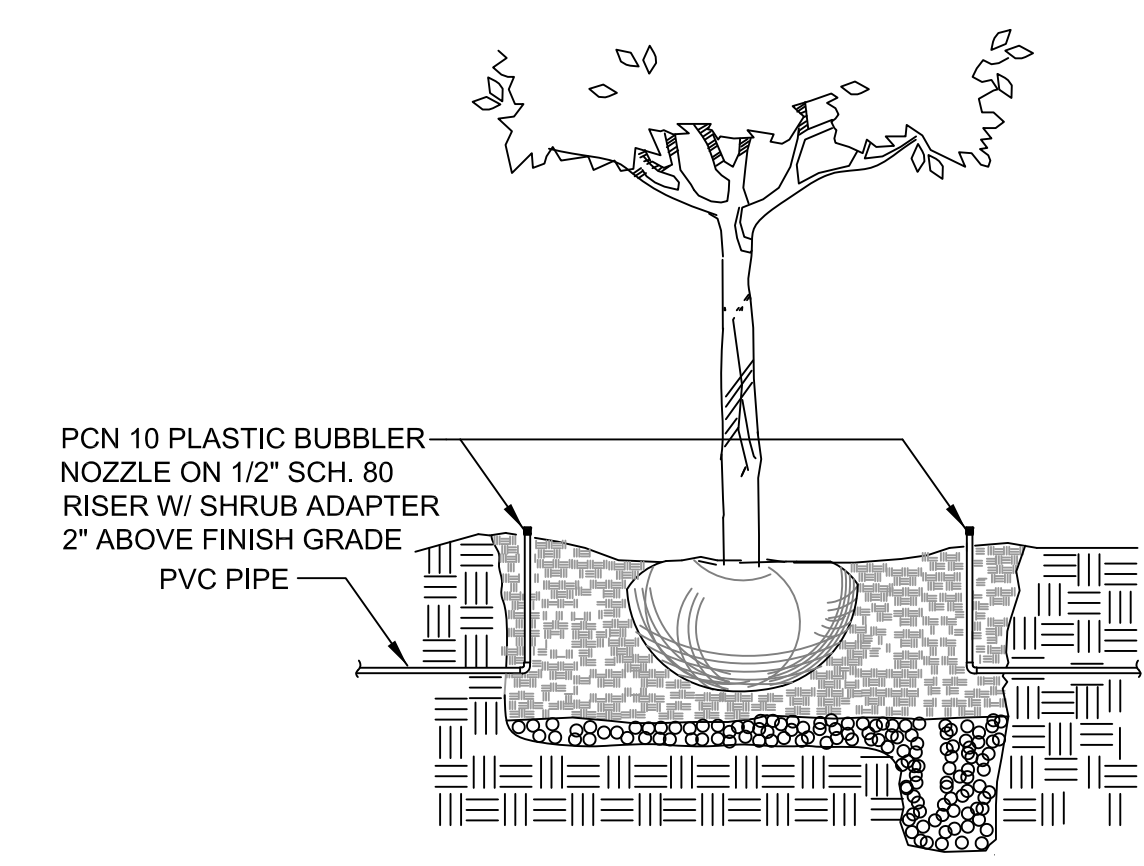
DRIPLINE FLUSH VALVE

NOT TO SCALE SHEDC



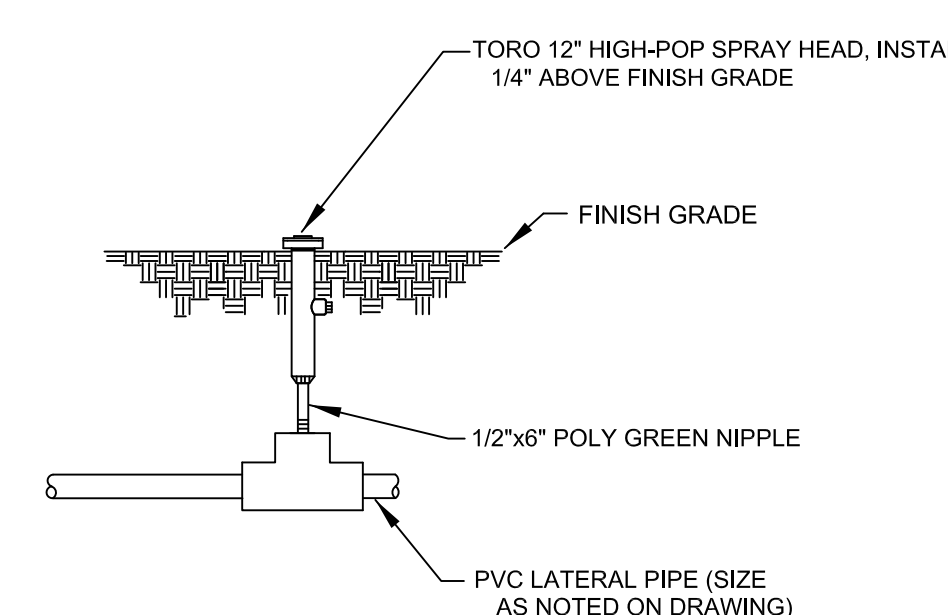
TYPICAL DRIPLINE LAYOUT

NOT TO SCALE SHEDC



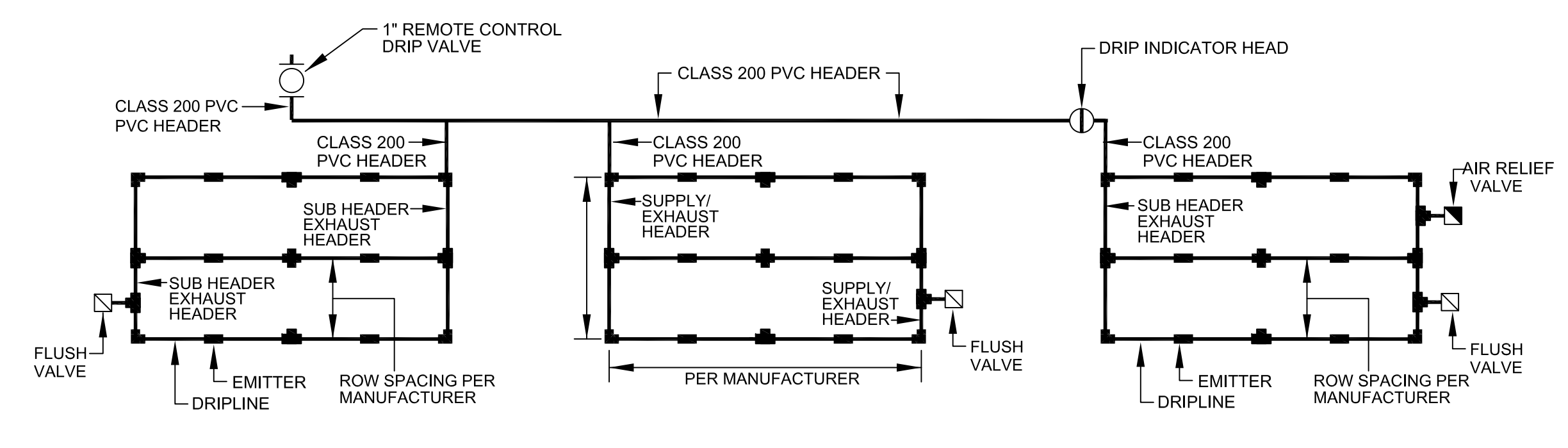
TREE BUBBLER

NOT TO SCALE SHEDC



DRIPLINE INDICATOR HEAD

NOT TO SCALE SHEDC

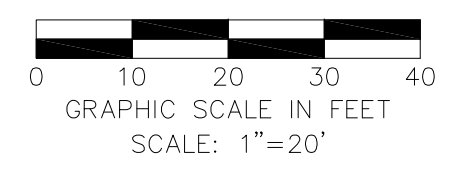


TYPICAL DRIPLINE LAYOUT

NOT TO SCALE SHEDC



SETH HEIDMAN  
IRRIGATION DESIGN & CONSULTING, LLC  
1000 W. PARKER RD. #1407-221, FORT WORTH, TEXAS 76104-1407



NO.	REVISION	BY	DATE

**studioOutside**  
824 Exposition Avenue, Ste. 5  
Dallas, Texas 75226  
o214.954.7160  
f214.954.7162

VW2 STREETSCAPE IMPROVEMENTS					
VP PUBLIC INFRASTRUCTURE - PHASE 5, BLOCK 200B					
TOWN OF ADDISON, TEXAS					
IRRIGATION DETAILS					
MARSH LANE					
DESIGN	DRAWN	DATE	SCALE	NOTES	Sheet No.
SAH	SAH	SEPT 10, 2019	AS NOTED		21

Irrigation in Texas is regulated by the Texas Commission of Environmental Quality (TCEQ), MC-178, P.O. Box 13887, Austin, Texas, 78711-3887. TCEQ website is: www.tceq.texas.gov

PROJECT NO. 5029-06  
PHASE 5, BLOCK 200B  
VP PUBLIC INFRASTRUCTURE