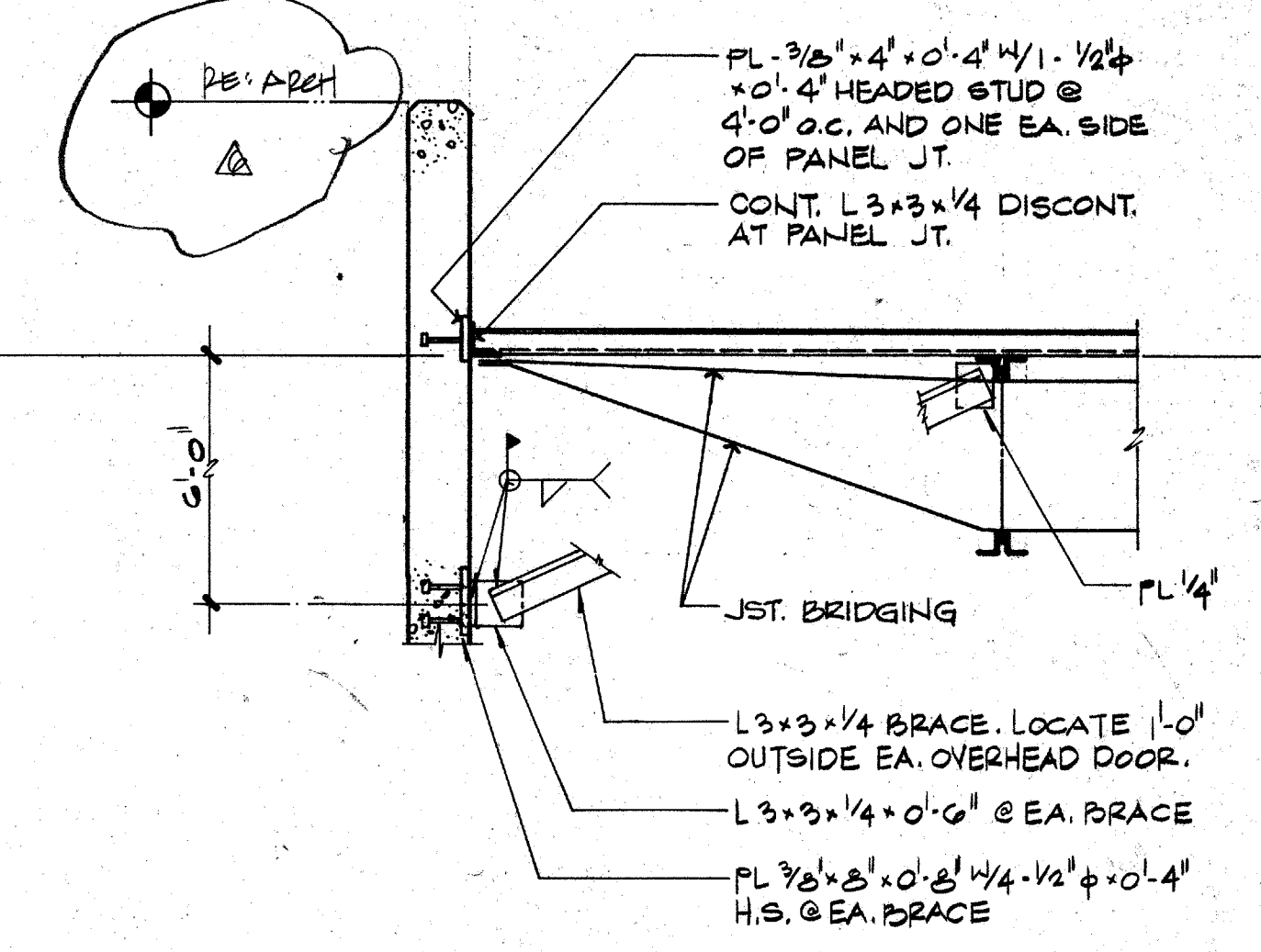
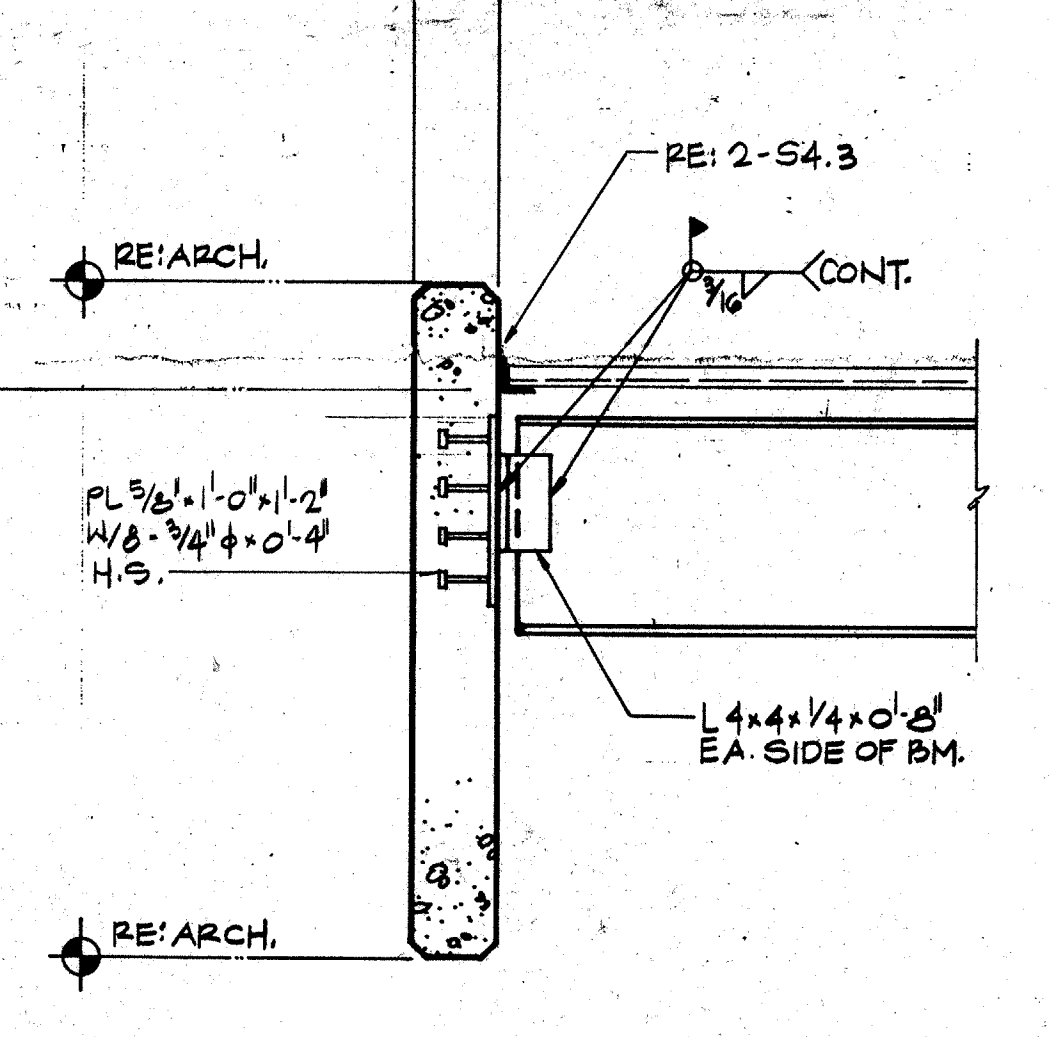


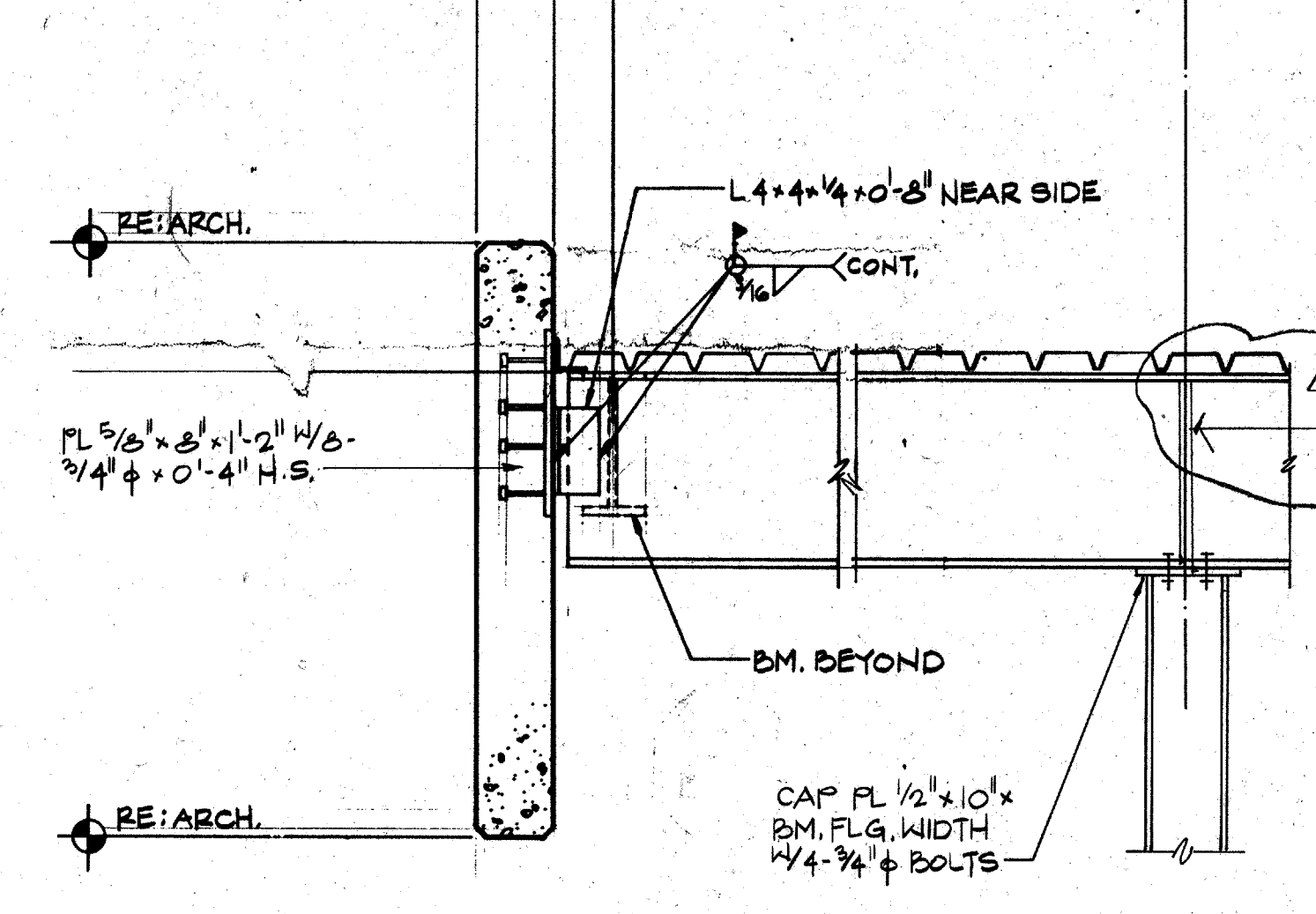
1 SECTION
 SCALE: 3/4" = 1'-0" TYPICAL U.N.O.



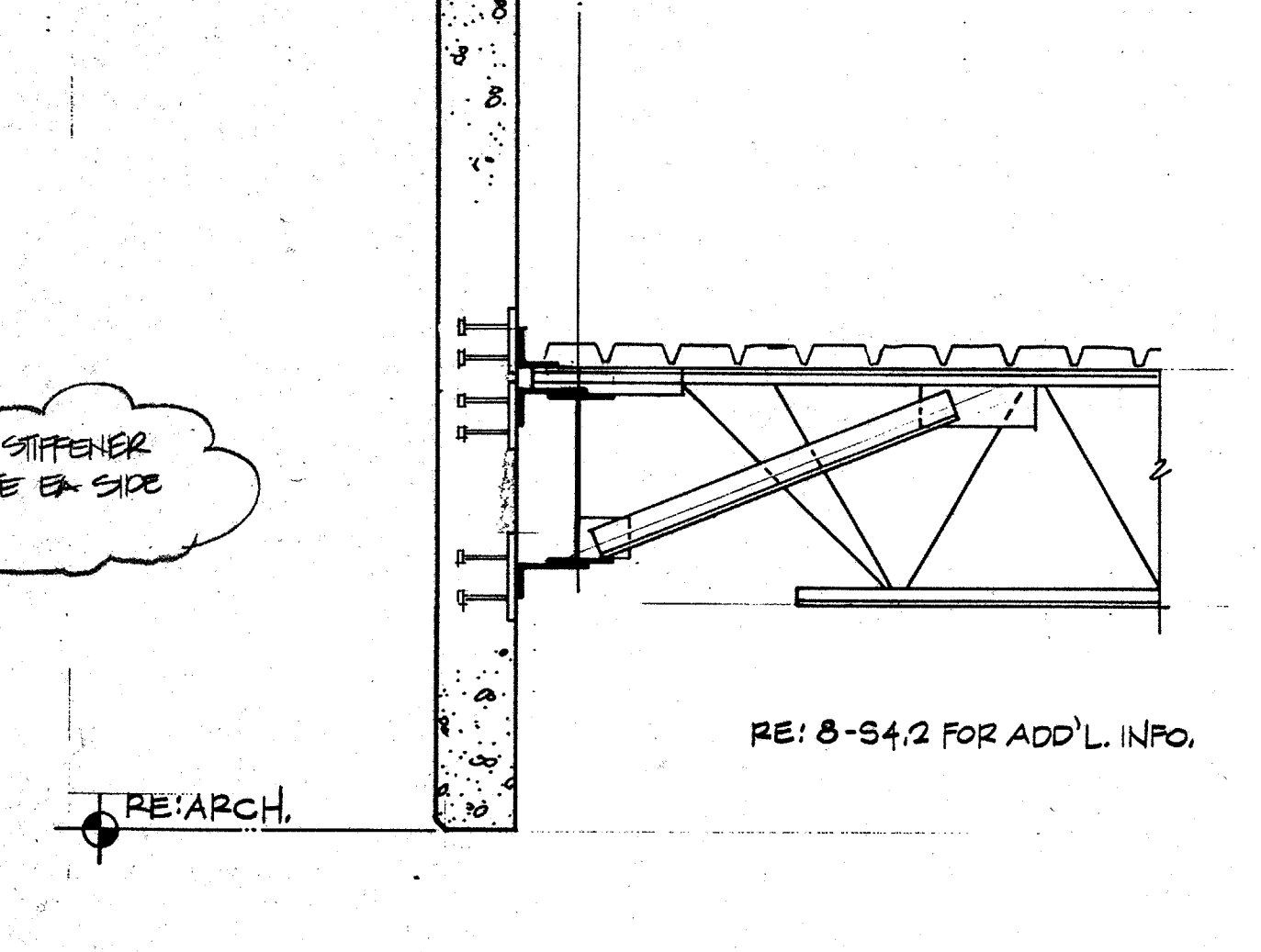
2 SECTION



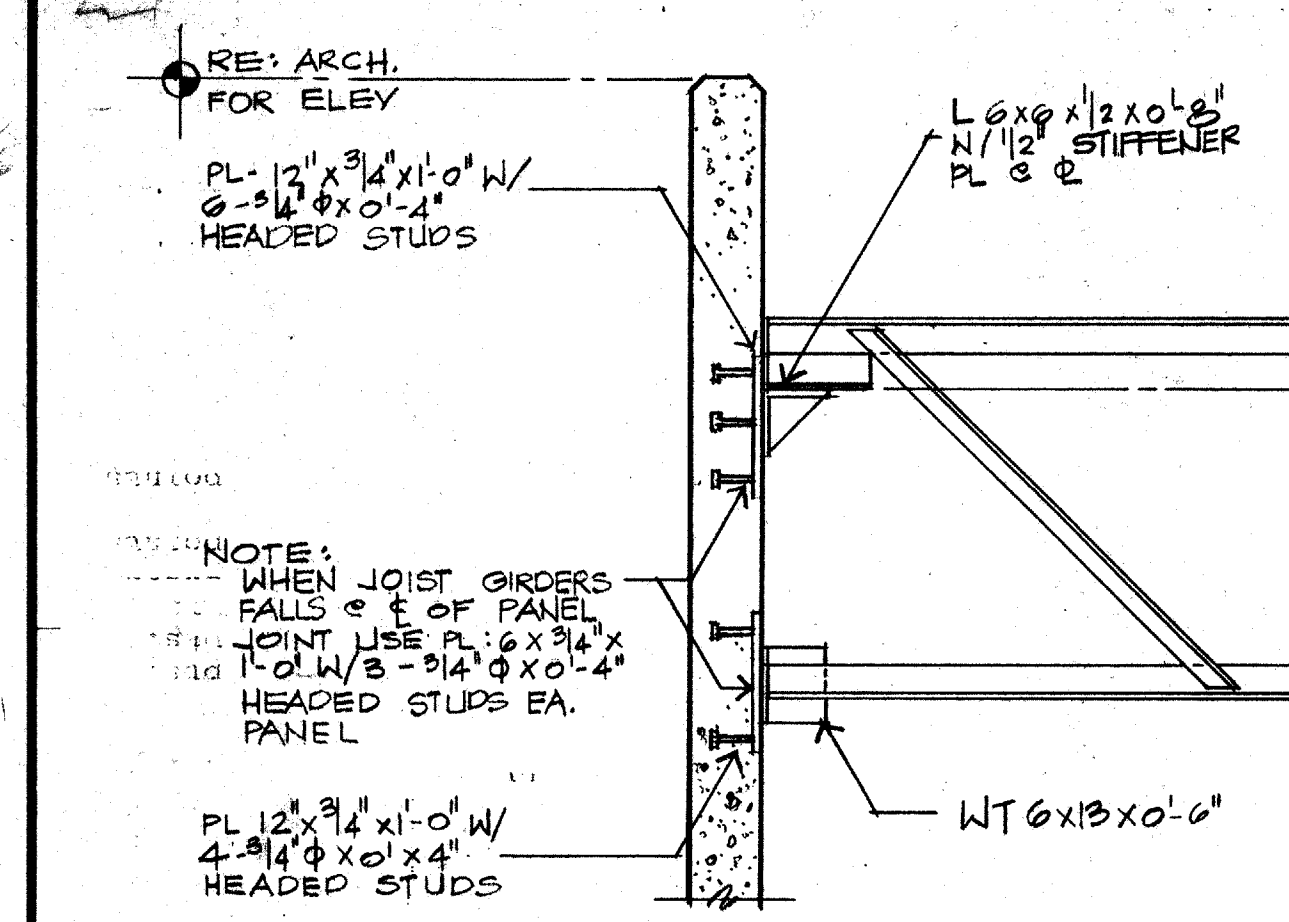
3 SECTION



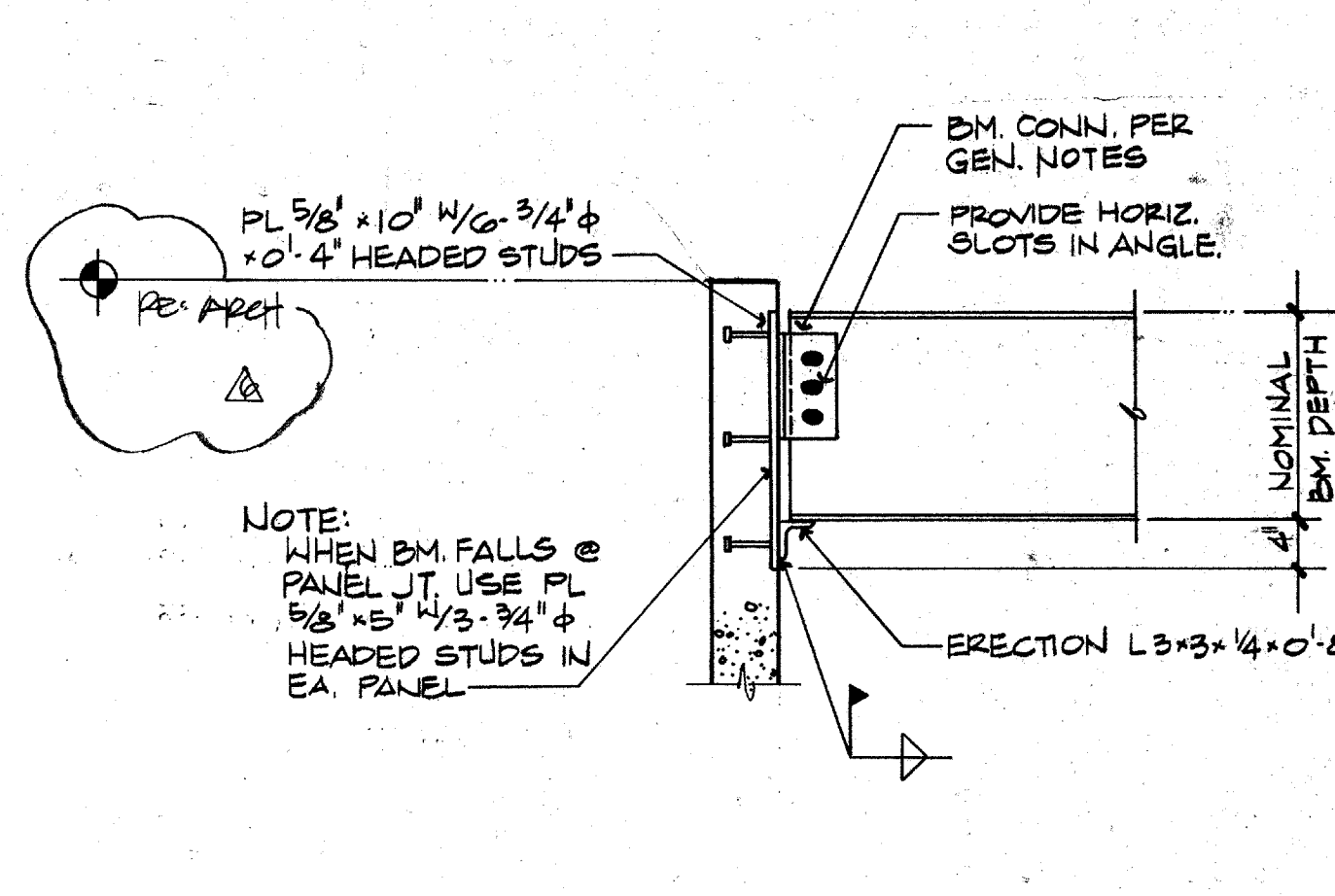
4 SECTION



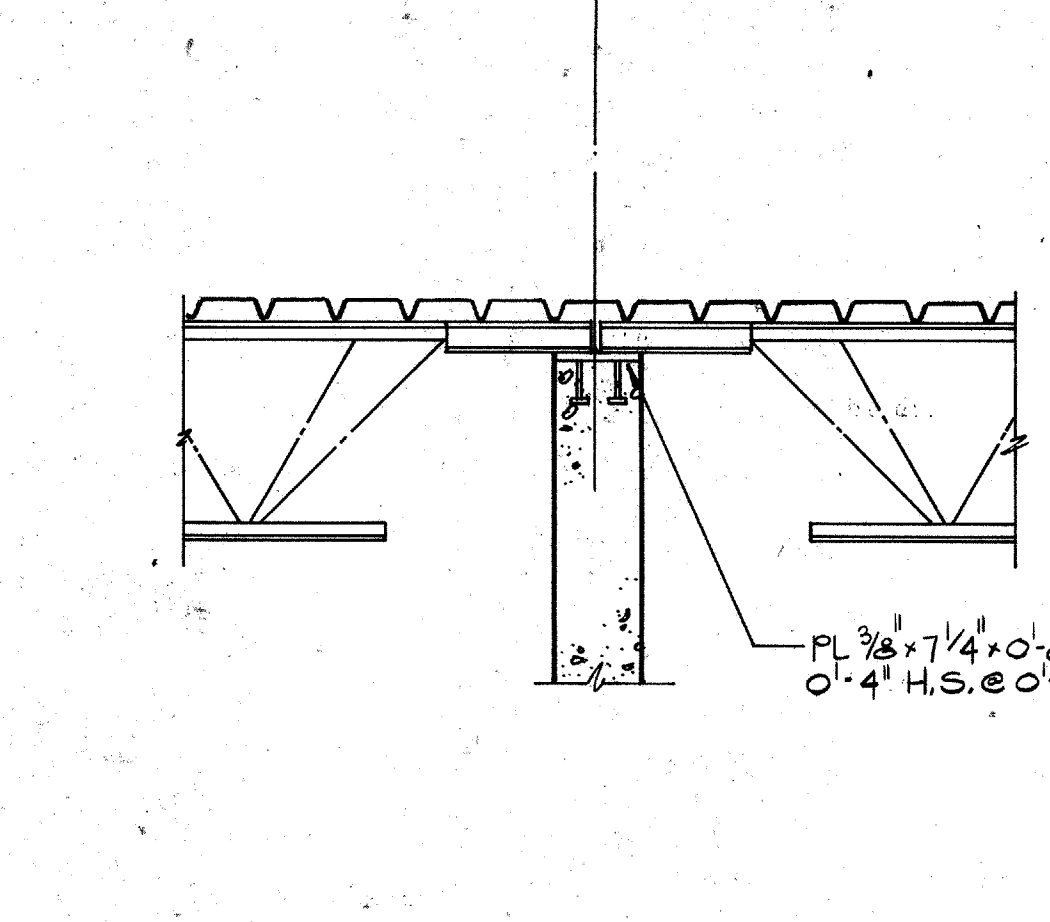
5 SECTION



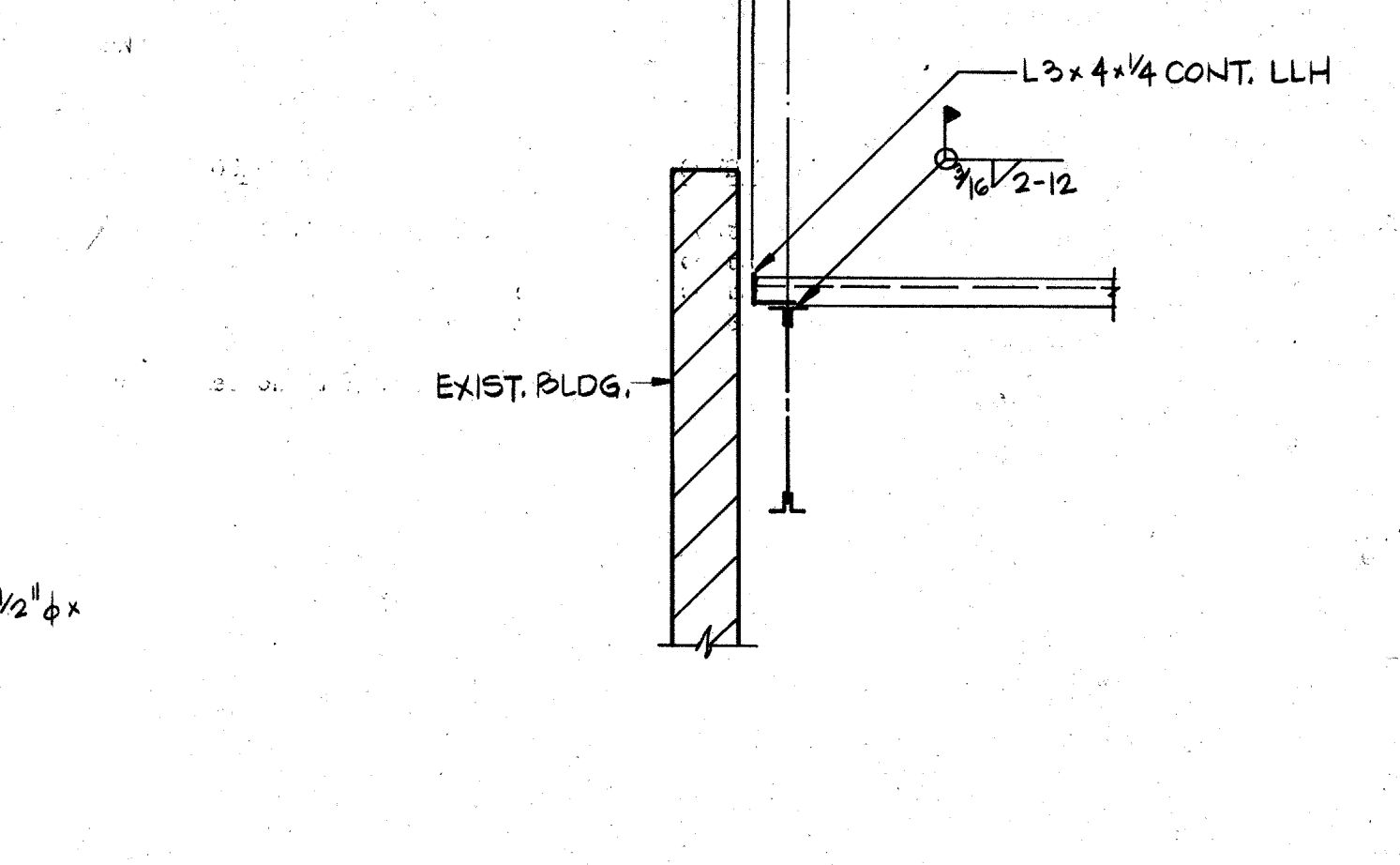
6 SECTION



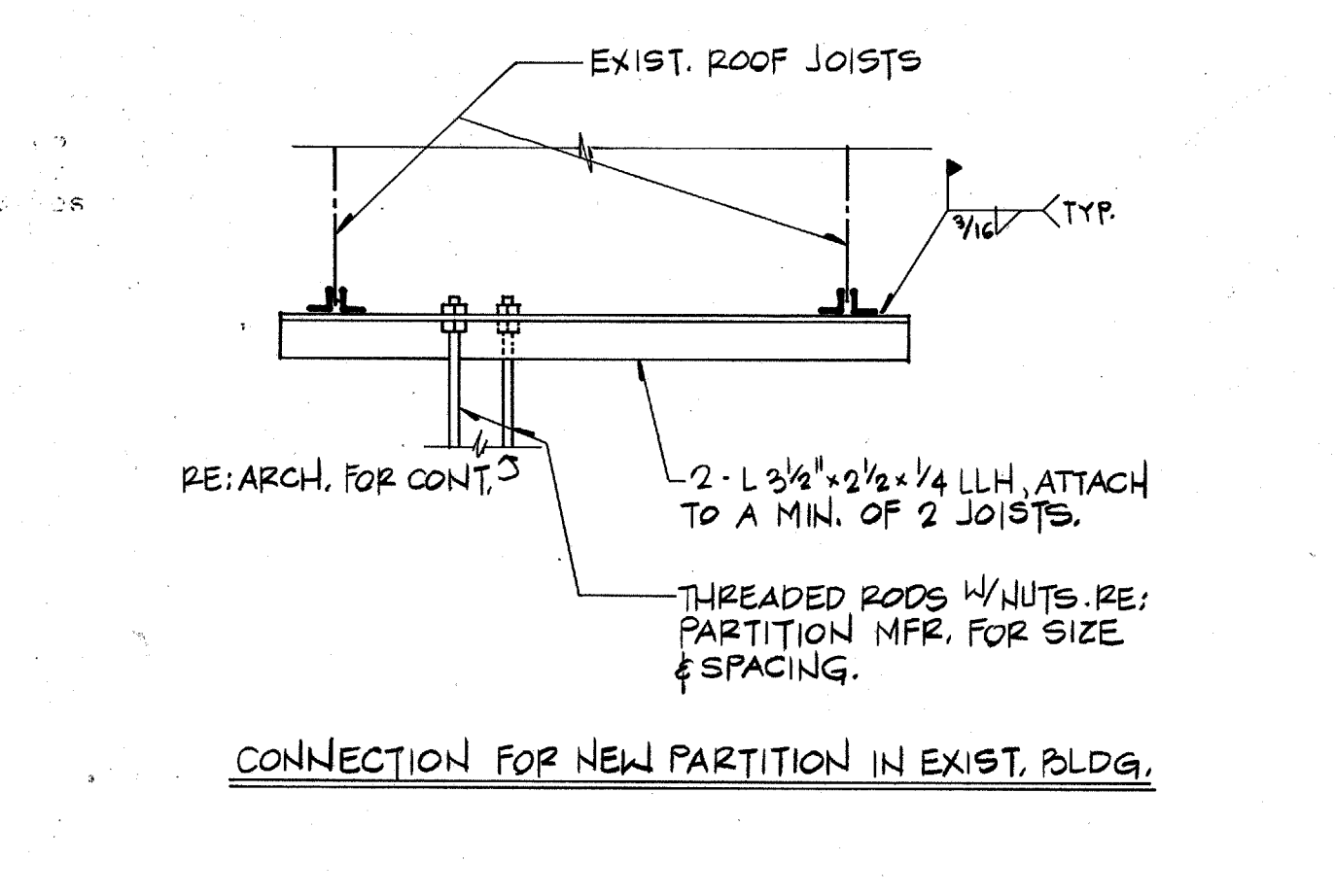
7 SECTION



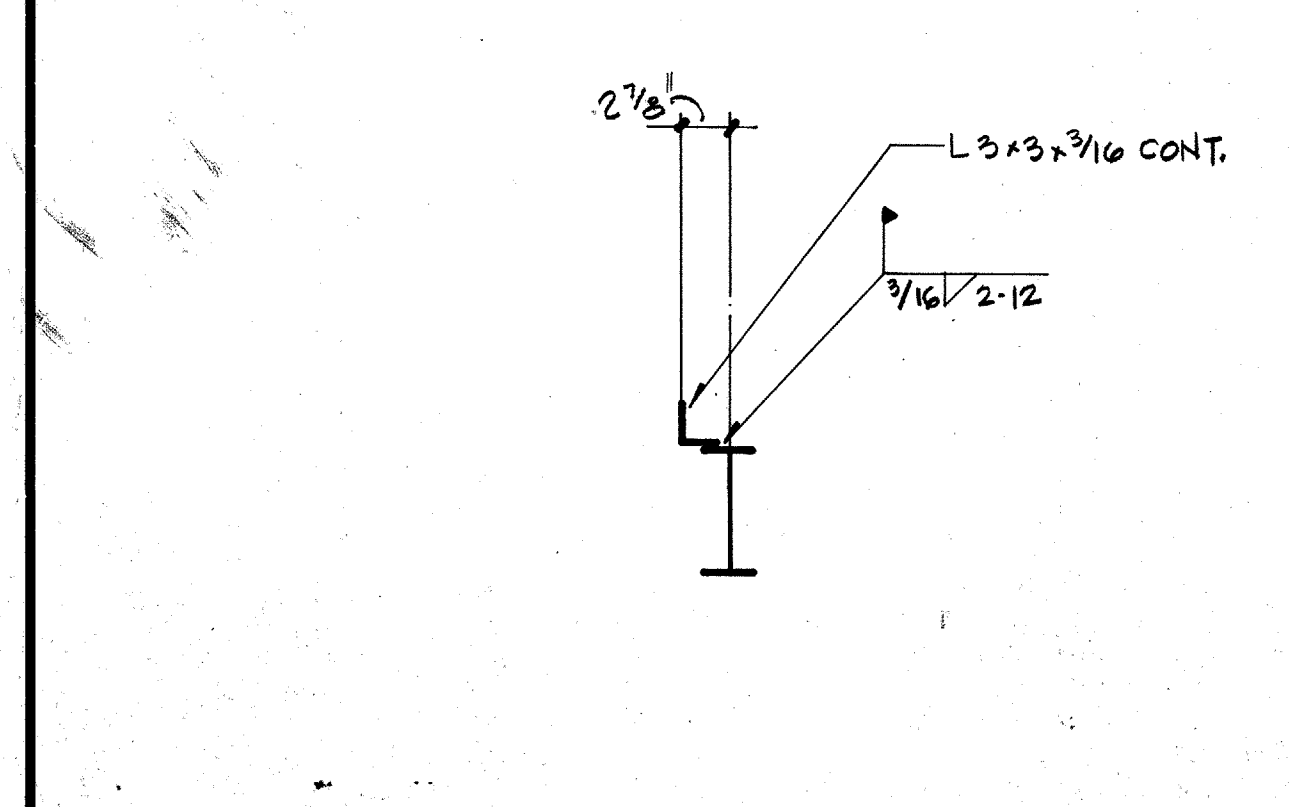
8 SECTION



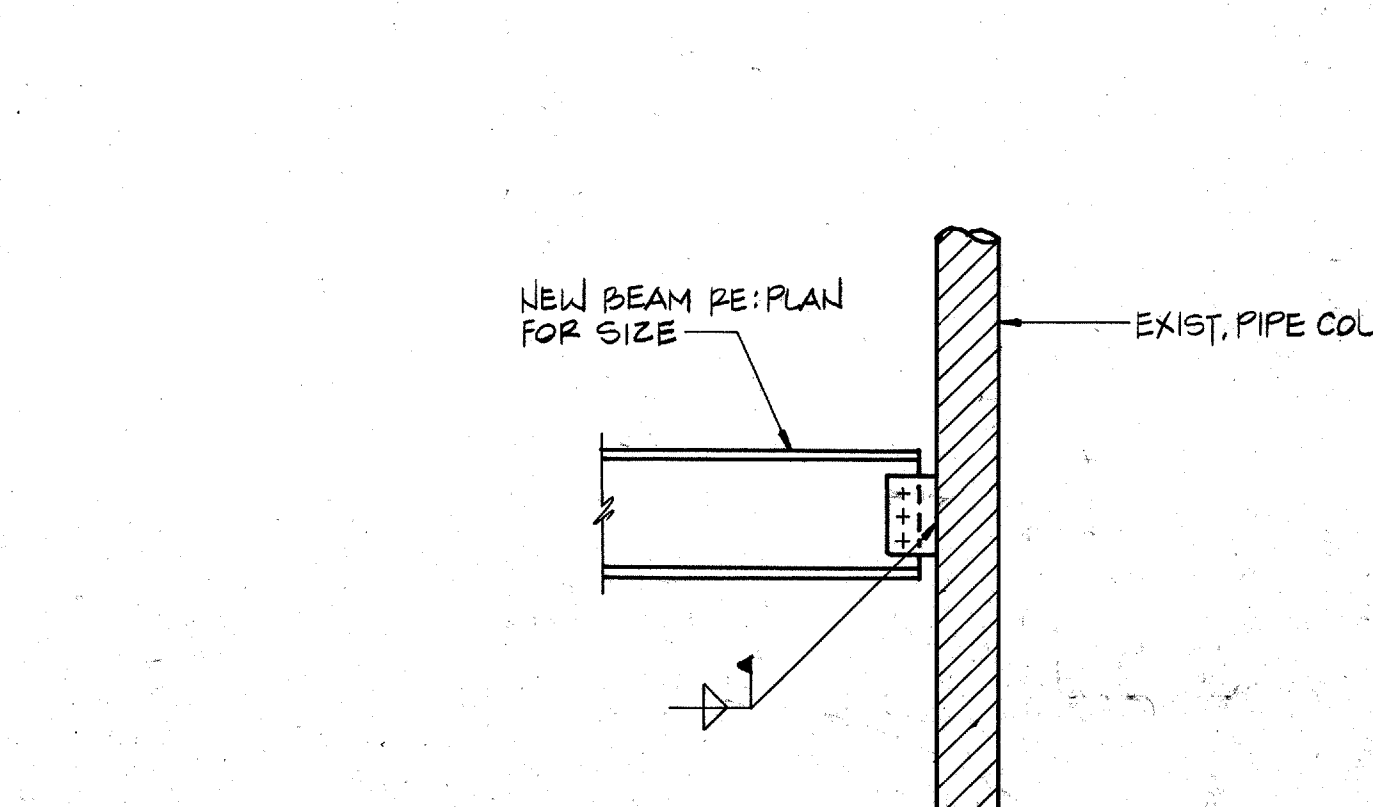
9 SECTION



10 SECTION



11 SECTION



12 SECTION

EDITION ARCHITECTS, INC.
 ARCHITECTURE PLANNING ENGINEERING INTERIOR DESIGN
 8440 WALNUT HILL LANE
 SUITE 300
 DALLAS, TEXAS 75201
 214 / 750-1848

TOWN OF ADDISON

ADDITION TO PUBLIC WORKS SERVICE CENTER
 Westgrove Road
 Addison Texas

DATE: 11 JUNE 86
 24 JULY 1986 - BID
 REV 10/02/86

SHEET NO. 54.9
 OF SHEETS
 JOB NO: 851-137

INTERFIELD ENGINEERING CO.
 CONSULTING ENGINEERS
 5401 N. CENTRAL EXPWY.
 SUITE 340
 DALLAS, TEXAS 75205
 (214) 626-6854

DRAWING TO BE USED FOR CONSTRUCTION