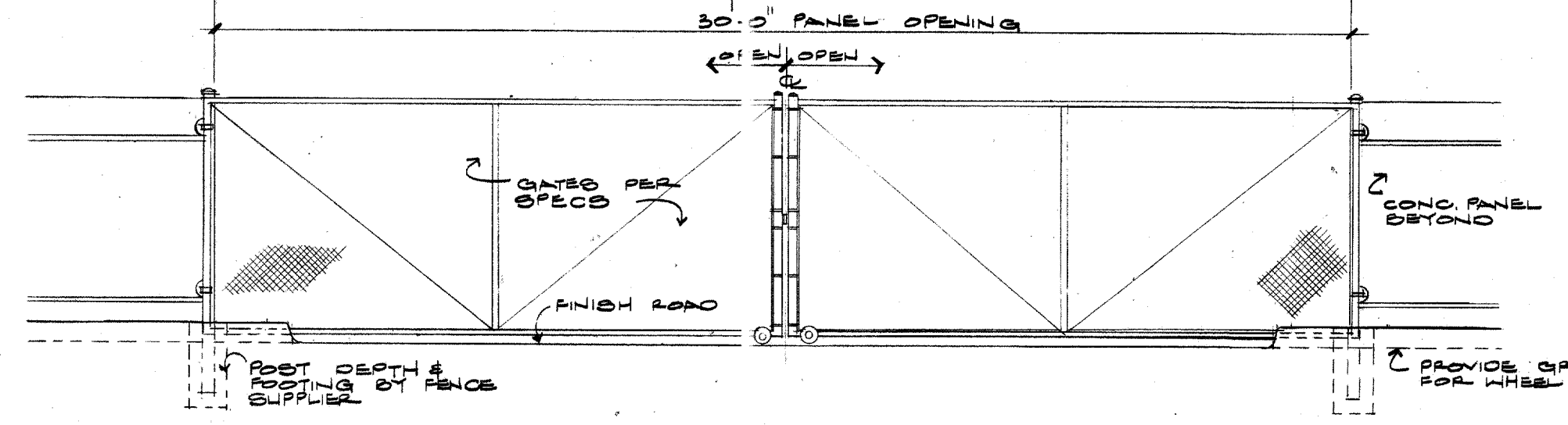
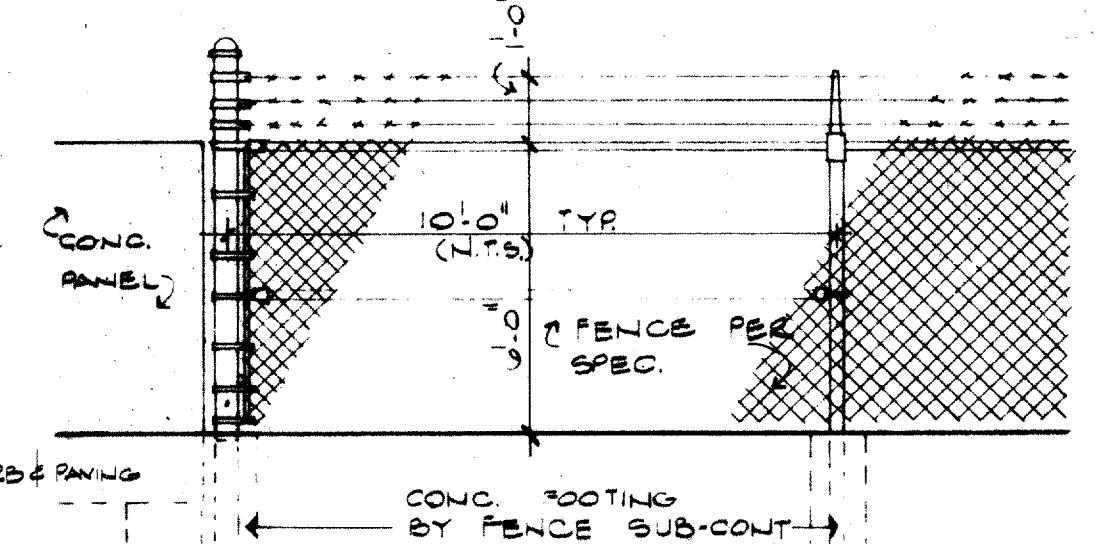


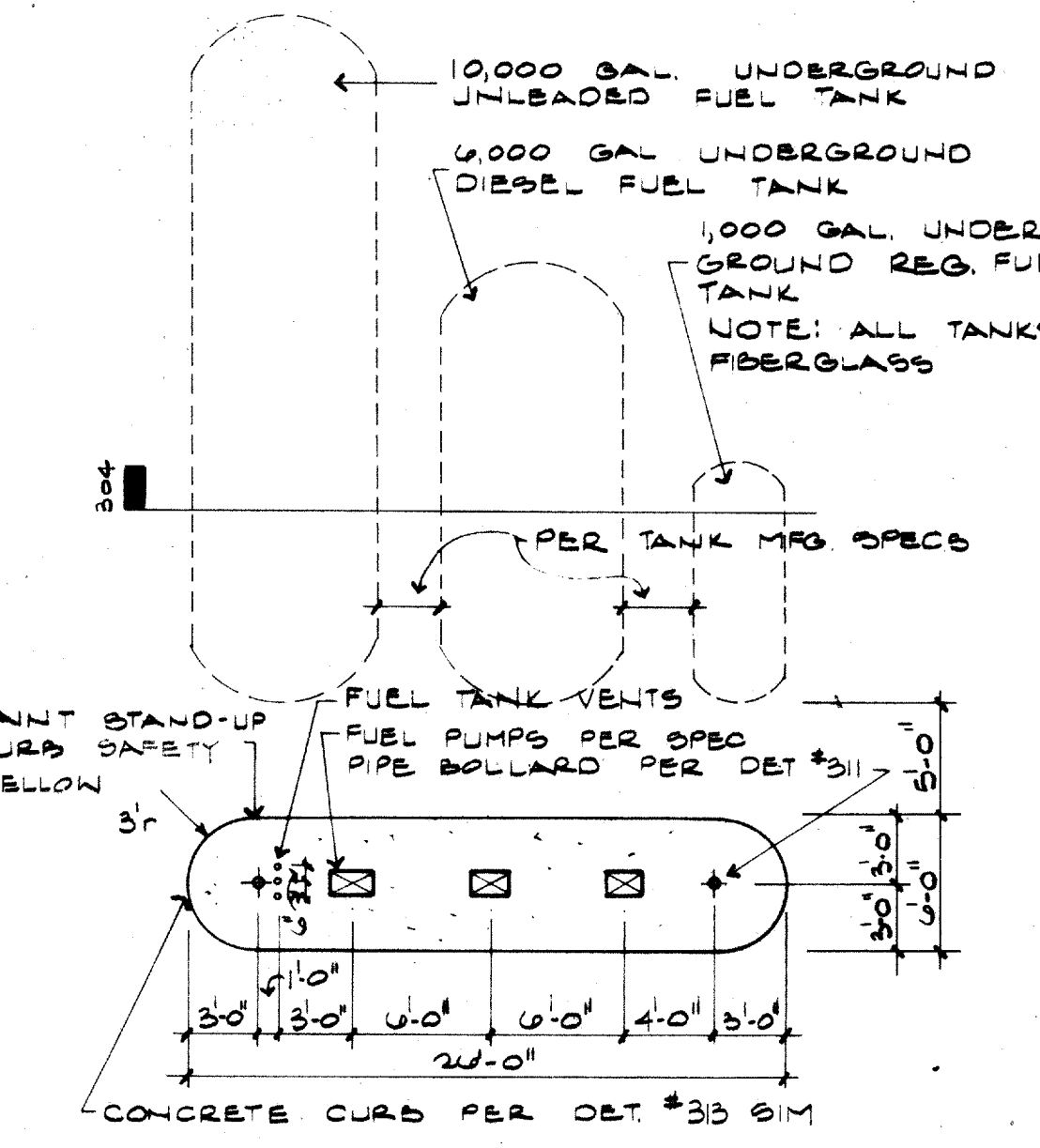
01 GATE DETAIL
SC: 1/4"=1'-0"



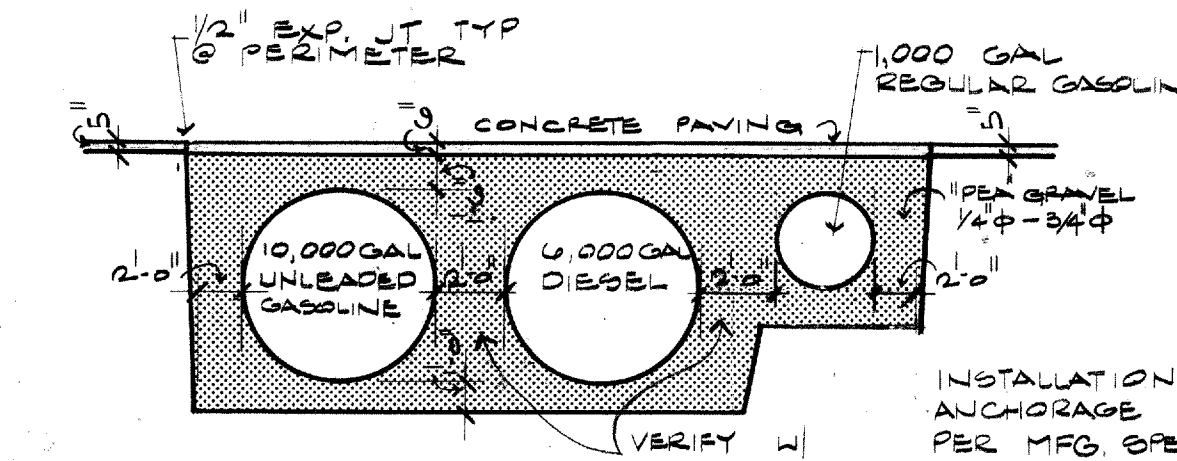
02 GATE DETAIL- INTERIOR VIEW
SC: 1/4"=1'-0"



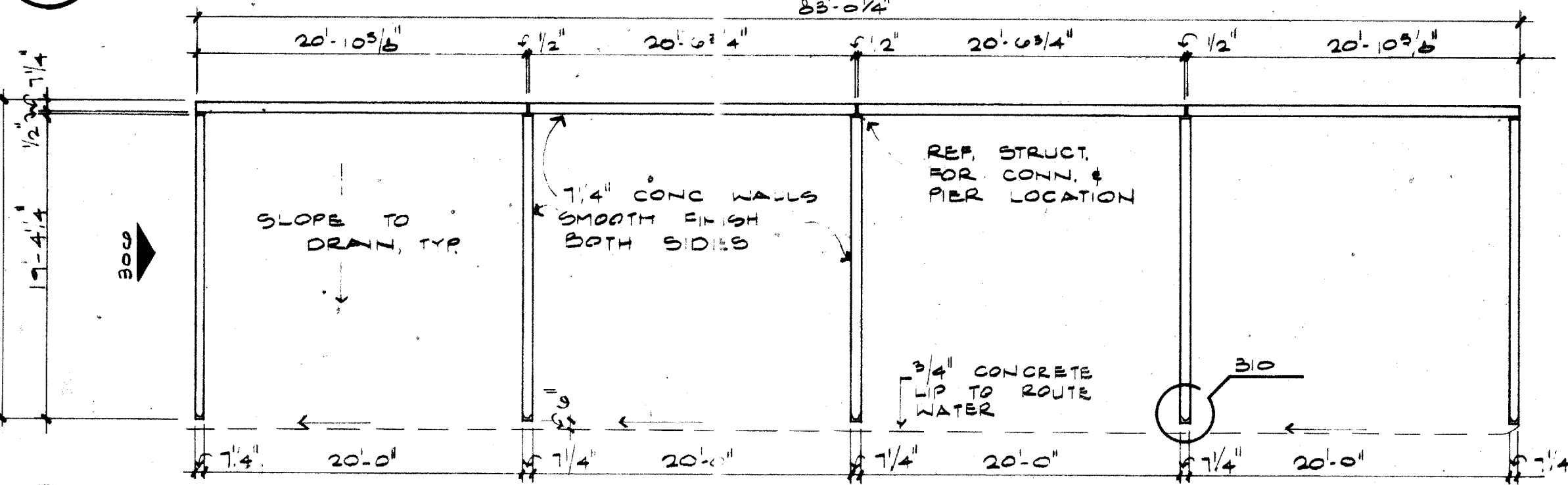
03 FENCE DETAIL
SC: 1/4"=1'-0"



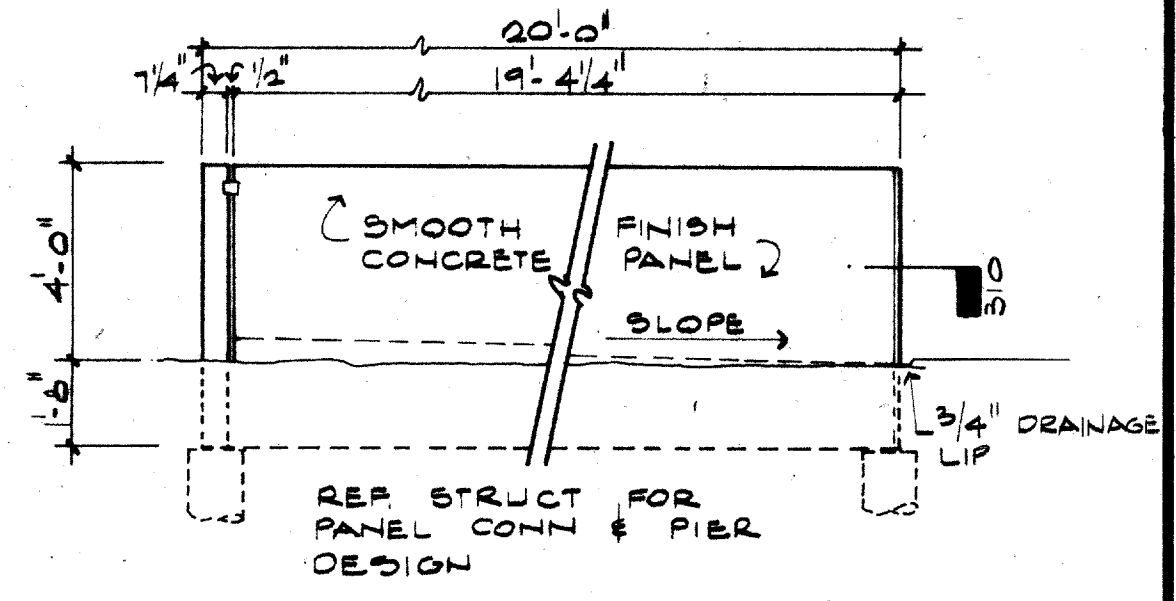
07 GAS ISLAND PLAN
SC: 1/4"=1'-0"



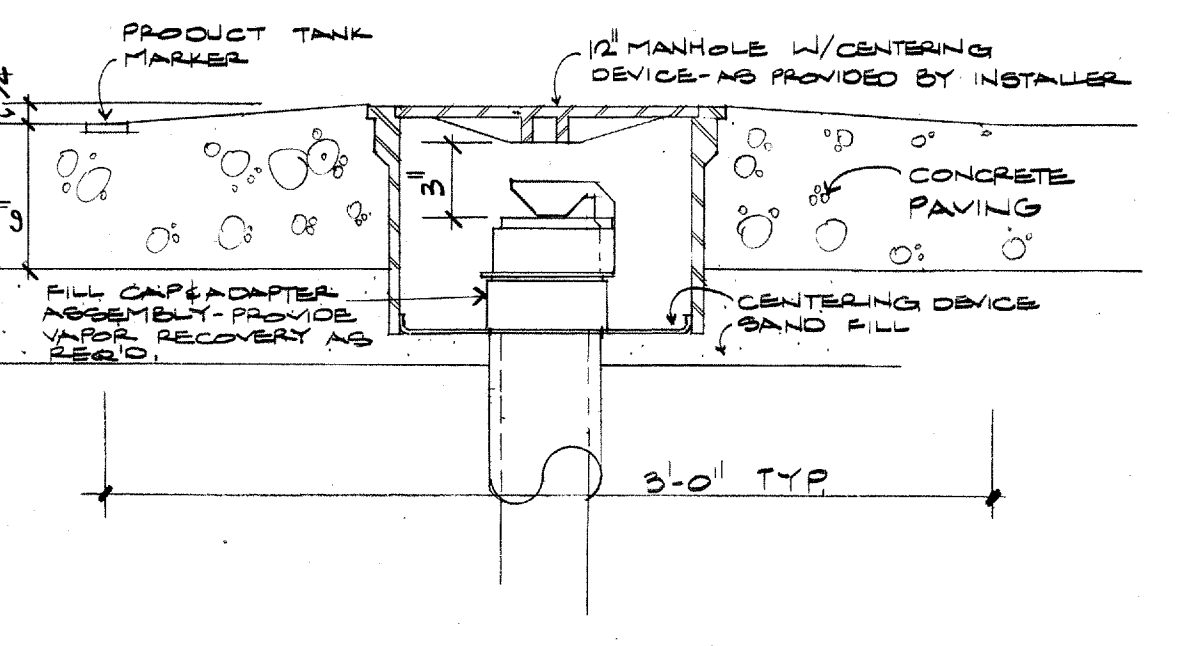
04 TANK SECTION
SC: 1/2"=1'-0"



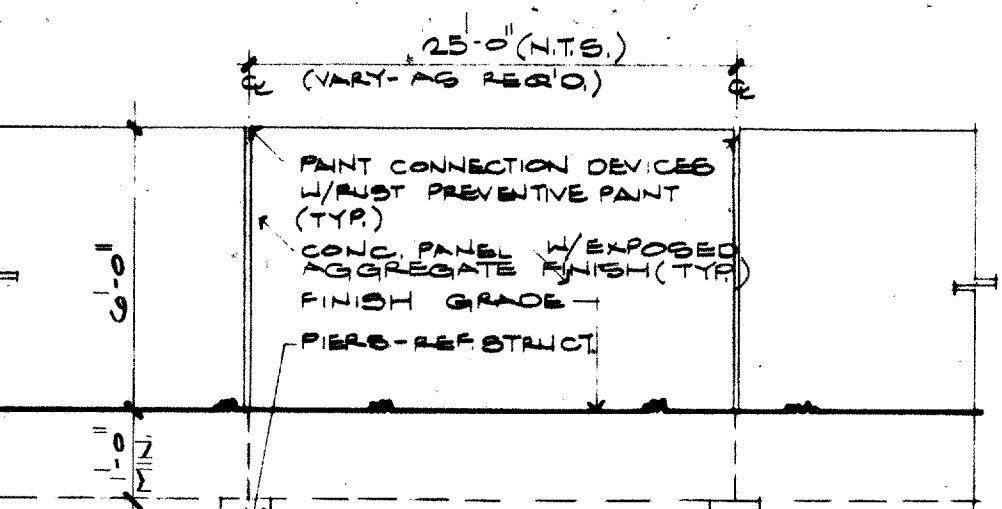
05 STORAGE AREA PLAN
SC: 1/2"=1'-0"



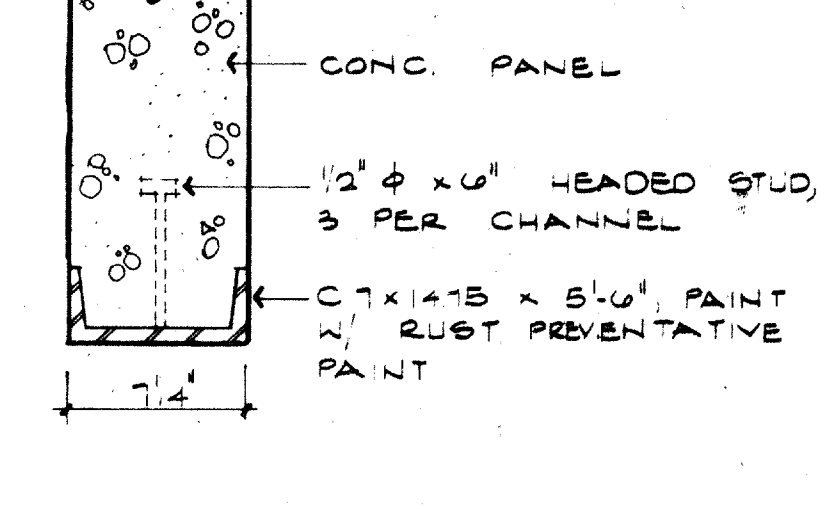
06 STORAGE AREA ELEVATION
SC: 1/4"=1'-0"



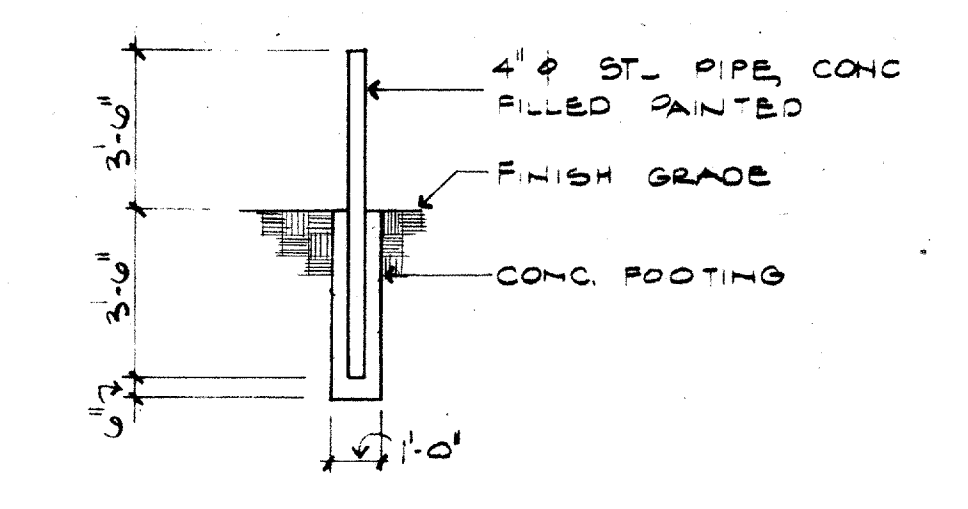
08 FILLER CAP DETAIL
SC: 1/2"=1'-0"



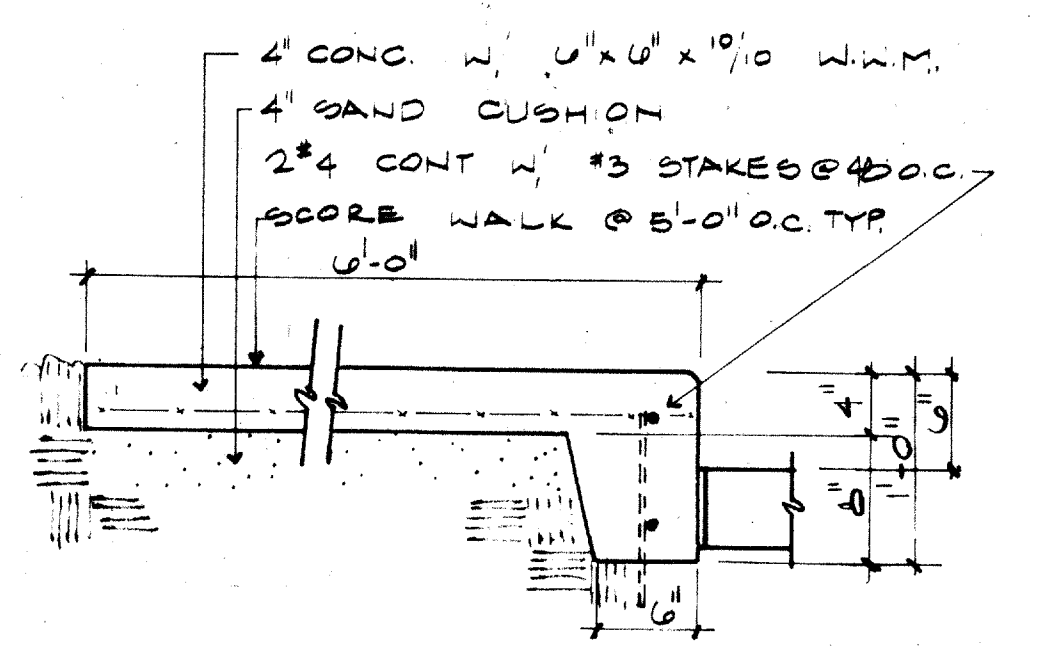
09 CONC. PANEL DETAIL
SC: 1/4"=1'-0"



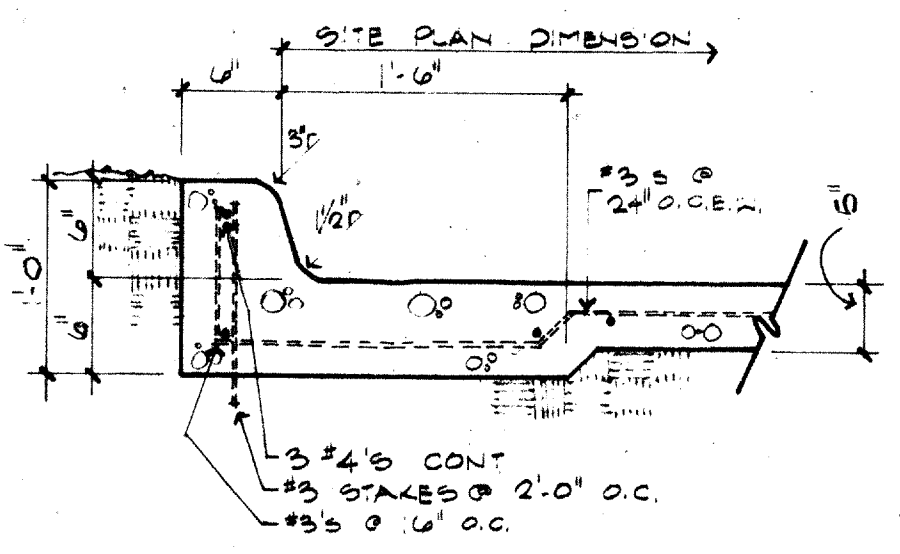
10 PANEL END DETAIL
SC: 1/2"=1'-0"



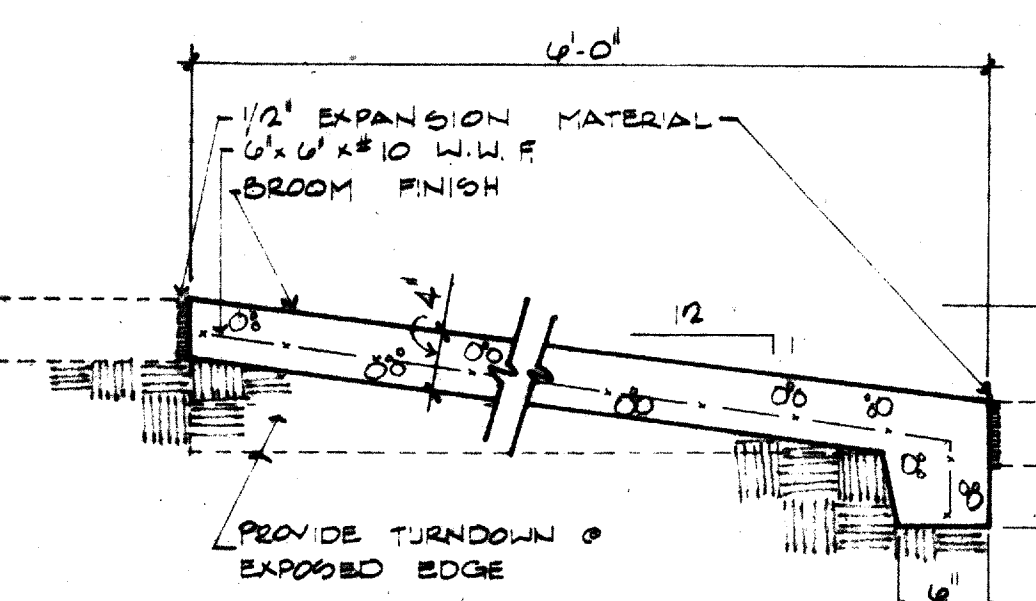
11 BOLLARD DETAIL
SC: 1/4"=1'-0"



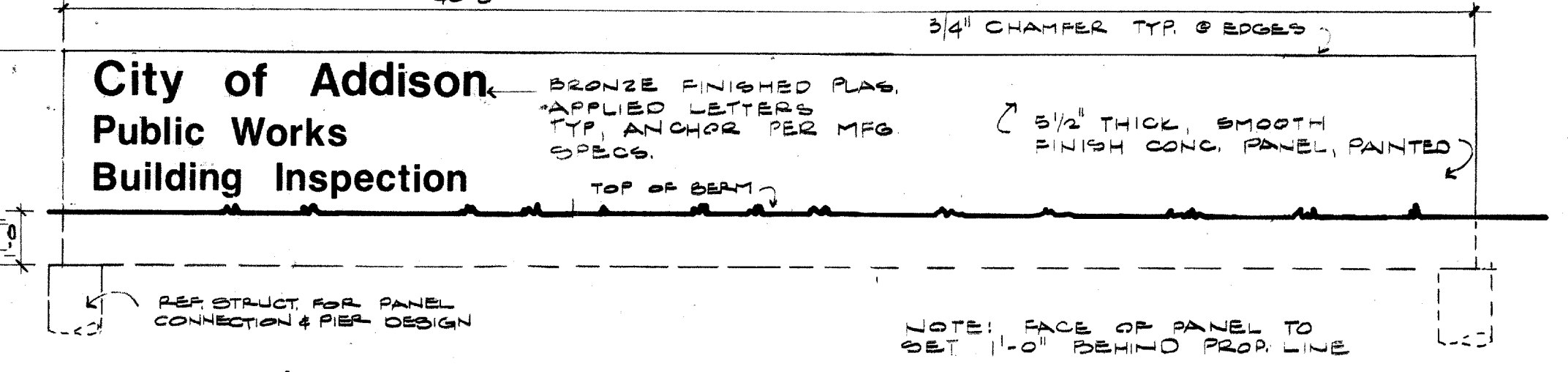
12 CONC. WALK
SC: 1"=1'-0"



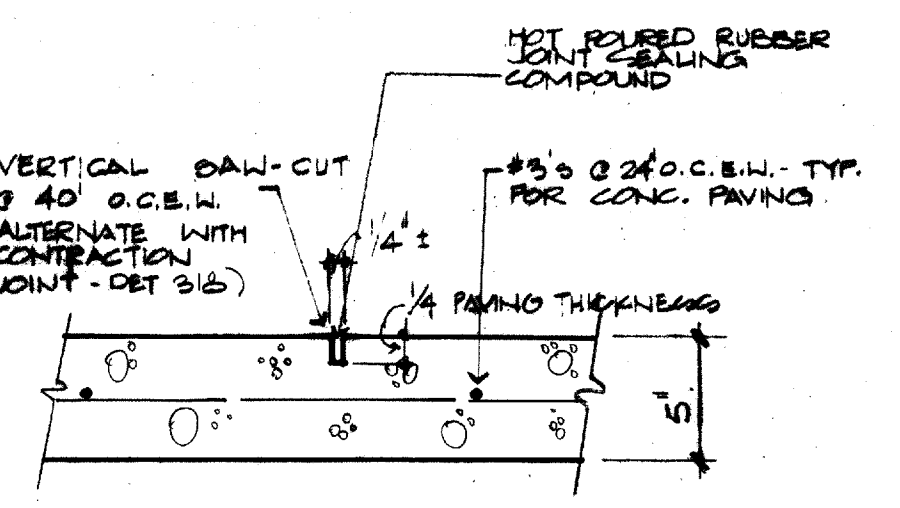
13 CONC. CURB
SC: 1"=1'-0"



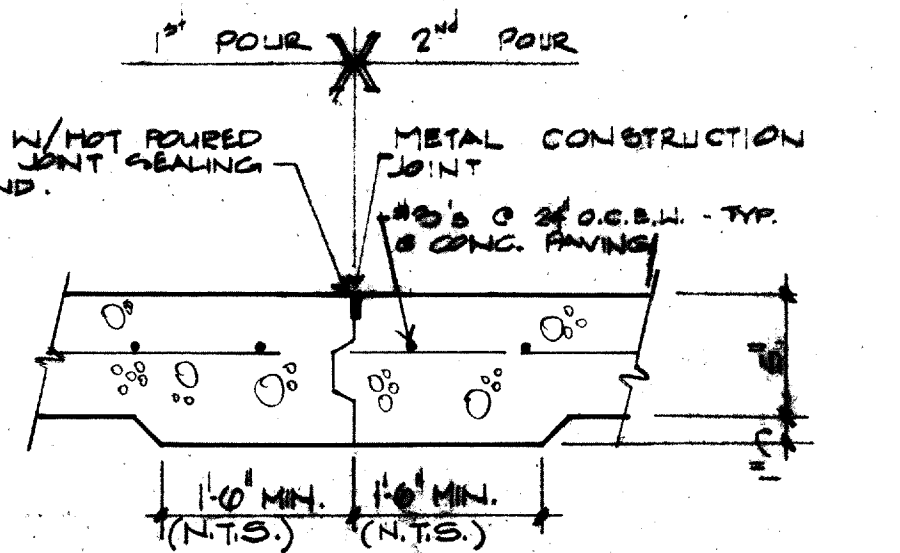
14 HANDICAP RAMP
SC: 1"=1'-0"



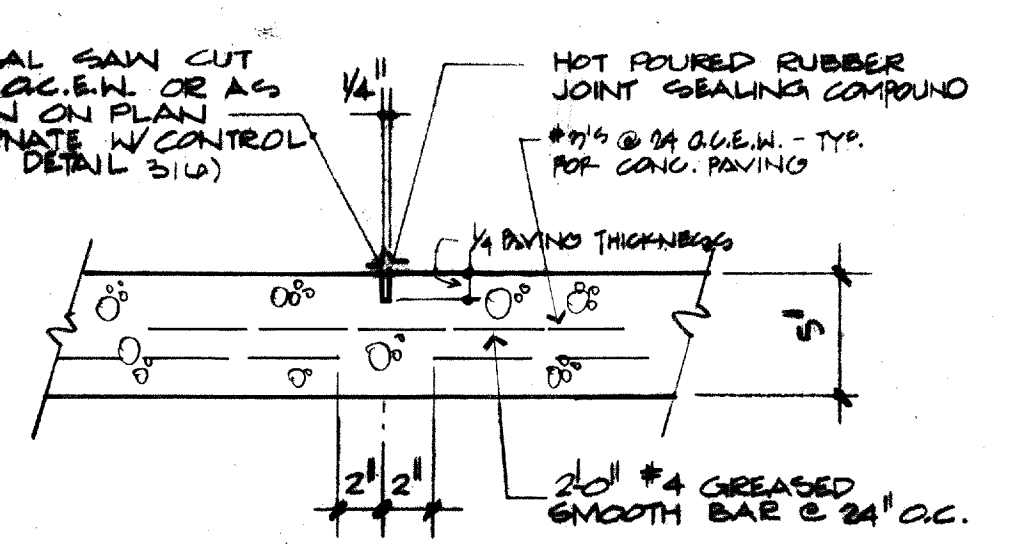
15 SCREENING WALL
SC: 3/8"=1'-0"



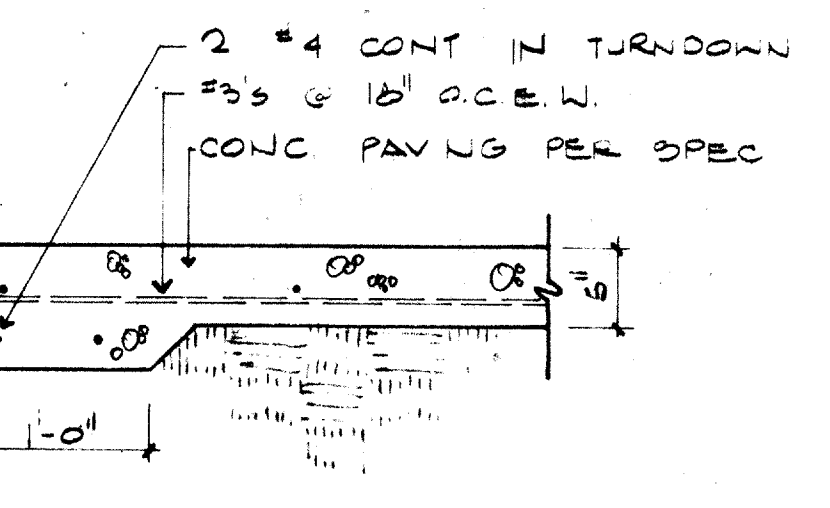
16 CONTROL JOINT
SC: 1/2"=1'-0"



17 CONSTRUCTION JOINT
SC: 1/2"=1'-0"



18 CONTRACTION JOINT
SC: 1/2"=1'-0"



19 PAVING STOP
SC: 1"=1'-0"