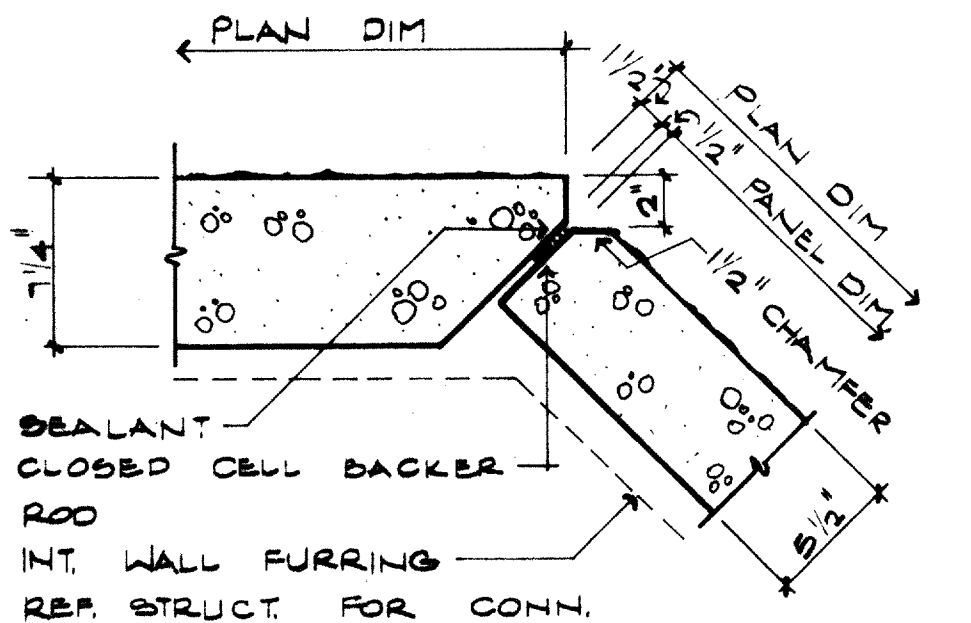
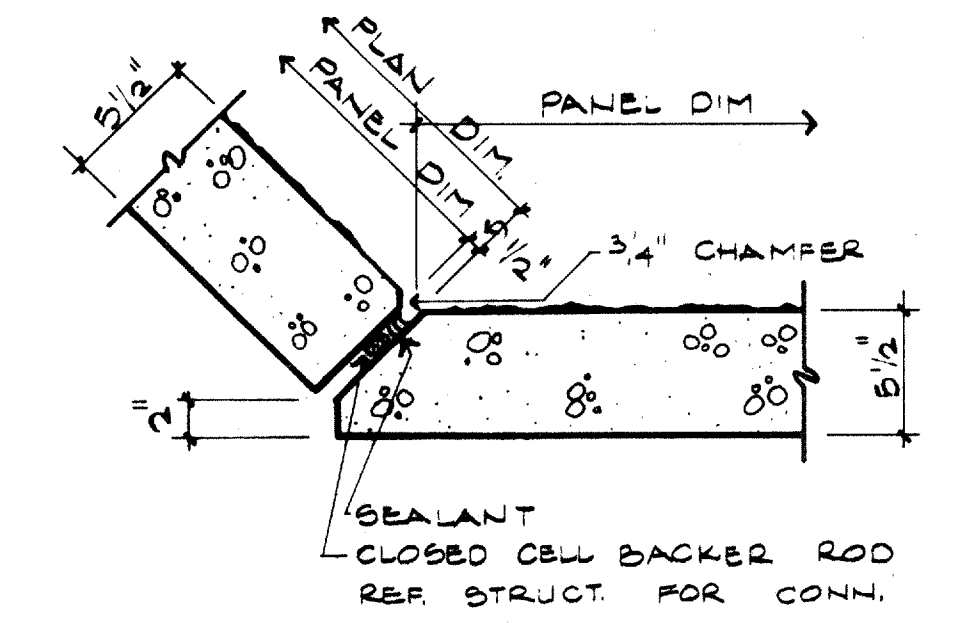


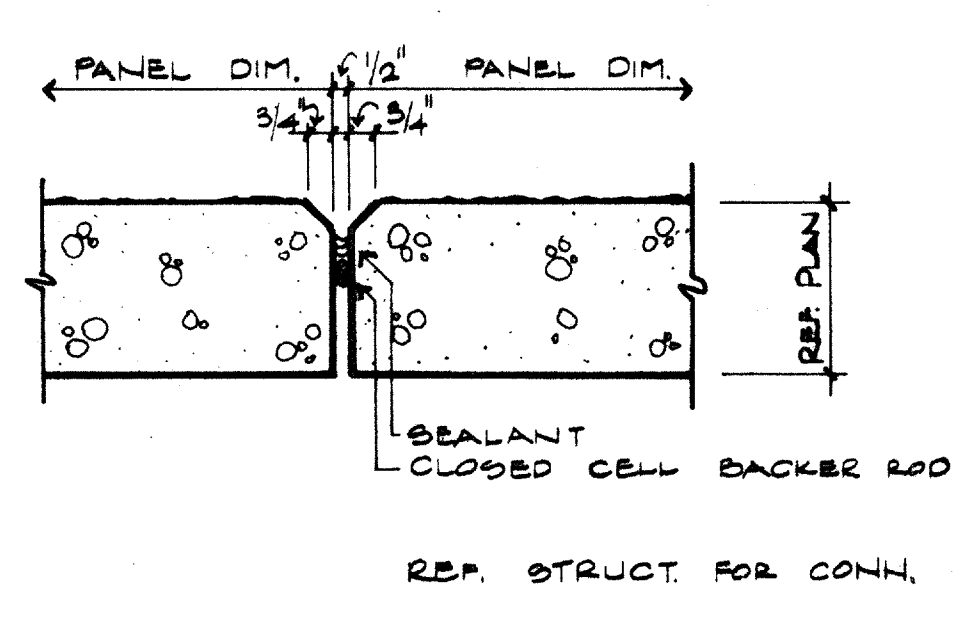
01 JOINT DETAIL
SC: 1/2"=1'-0"



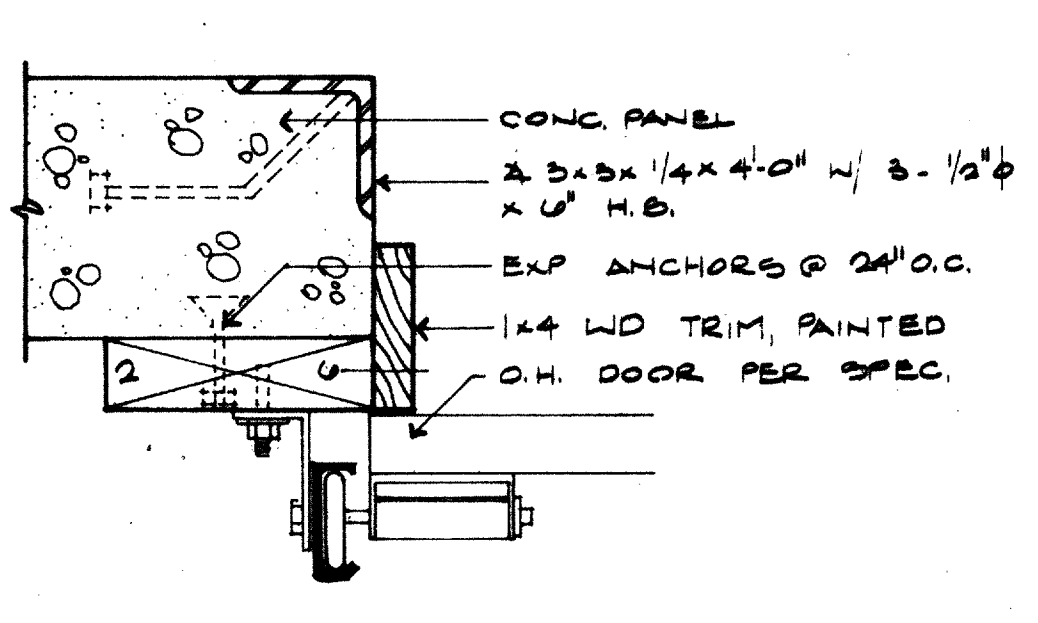
02 JOINT DETAIL
SC: 1/2"=1'-0"



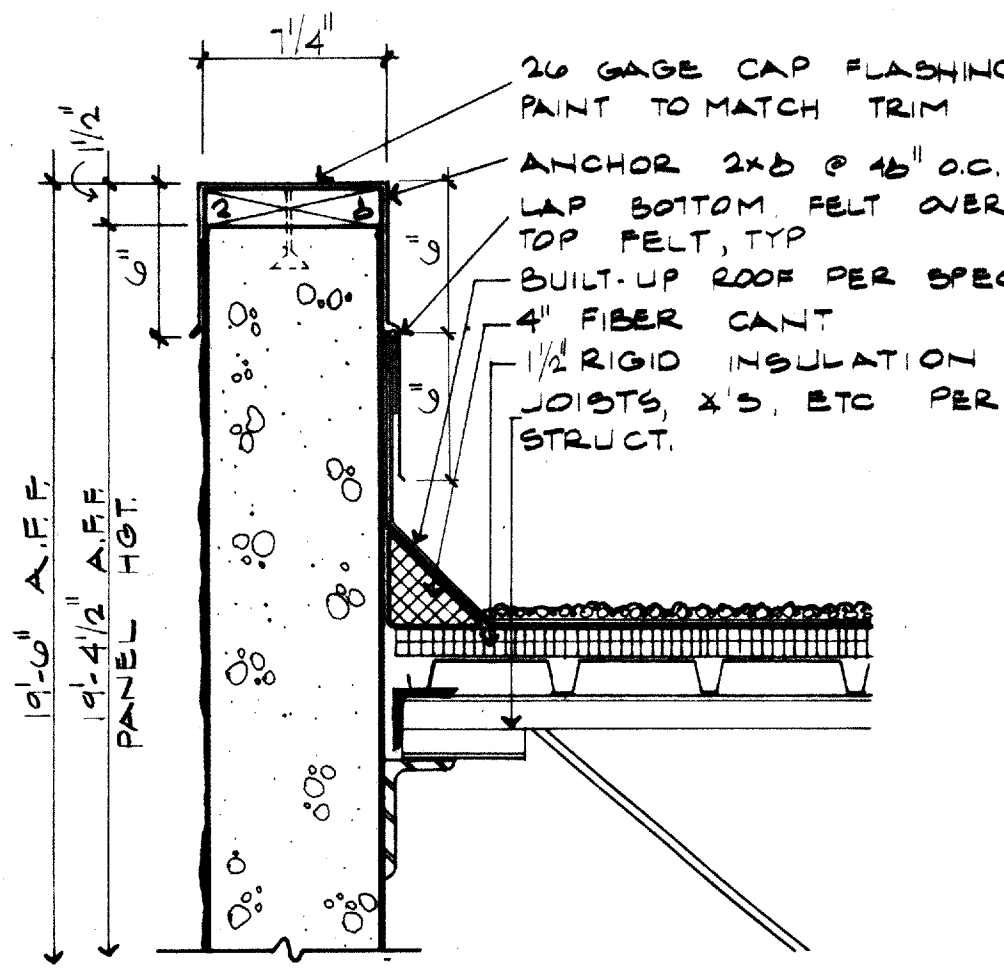
03 JOINT DETAIL
SC: 1/2"=1'-0"



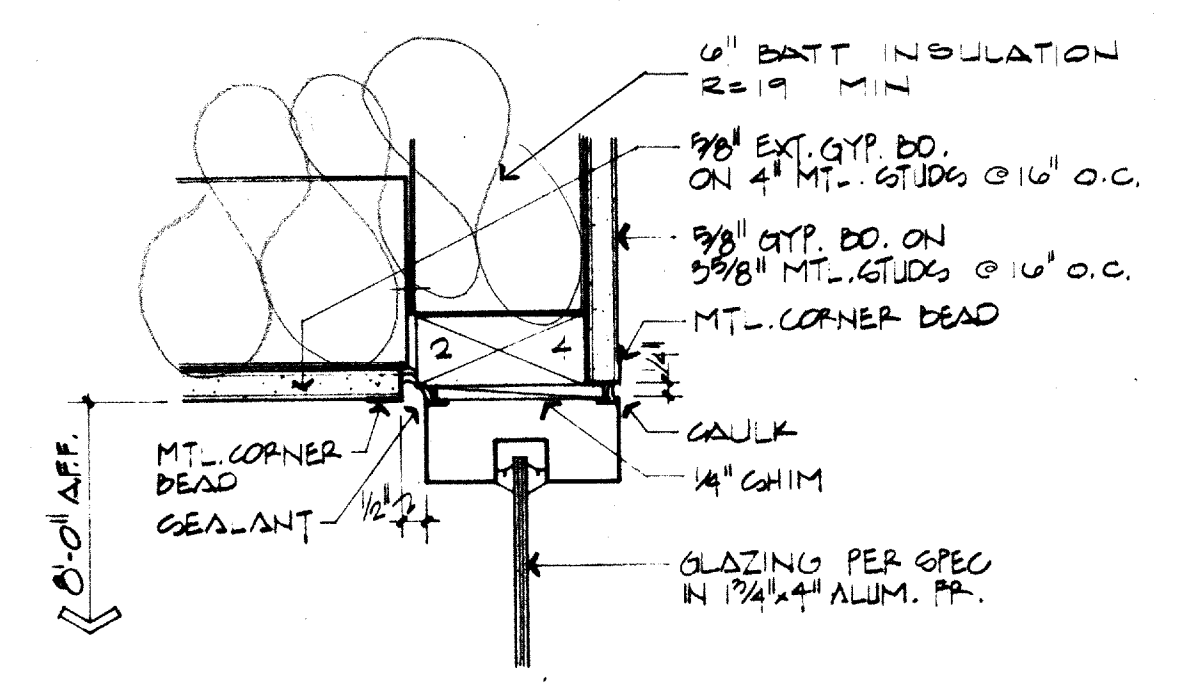
04 JOINT DETAIL
SC: 1/2"=1'-0"



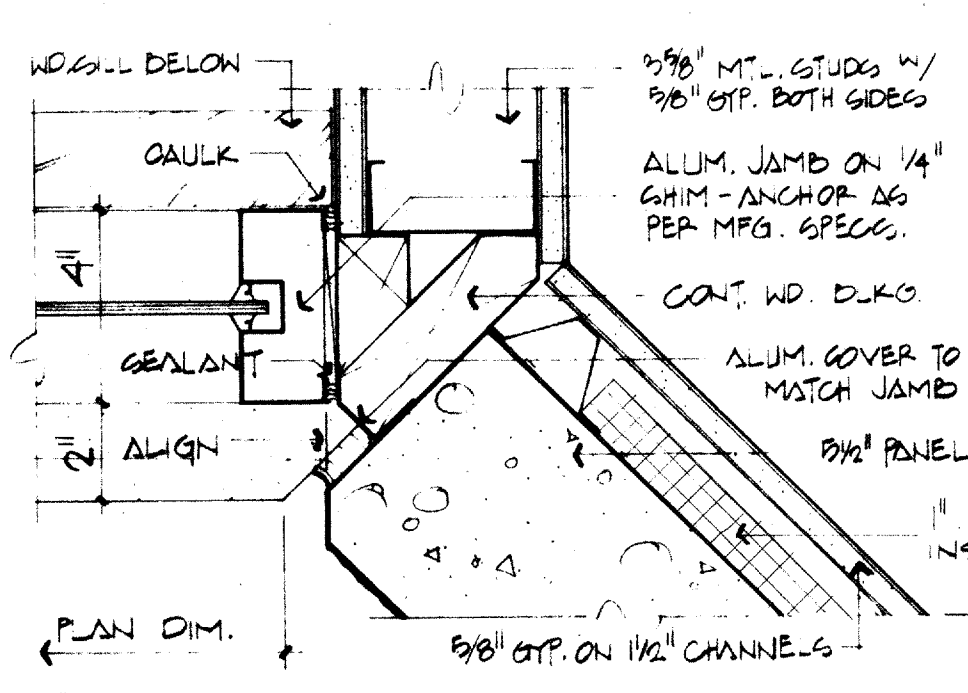
05 DOOR JAMB
SC: 3/8"=1'-0"



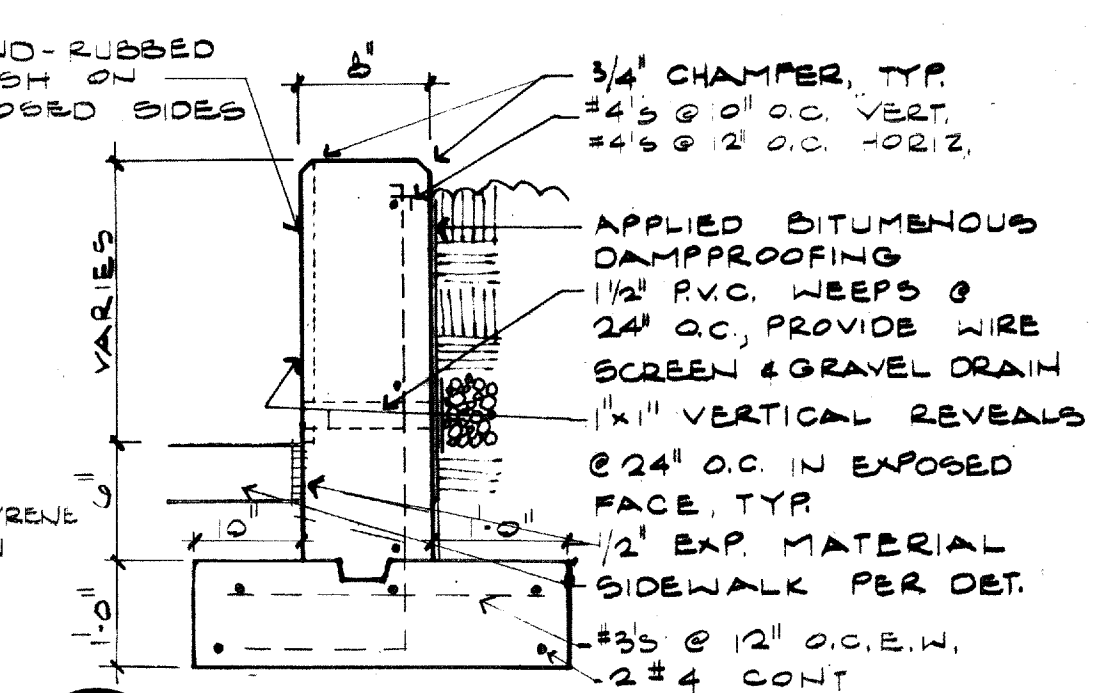
10 FLASHING DETAIL
SC: 3/8"=1'-0"



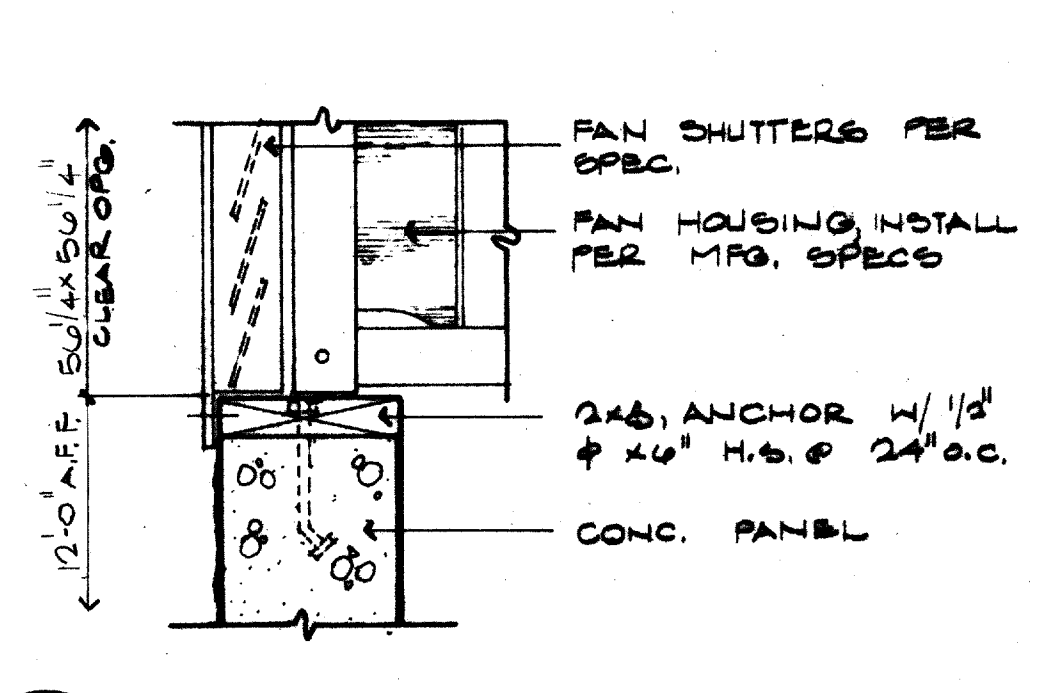
06 HEAD DETAIL
SC: 3/8"=1'-0"



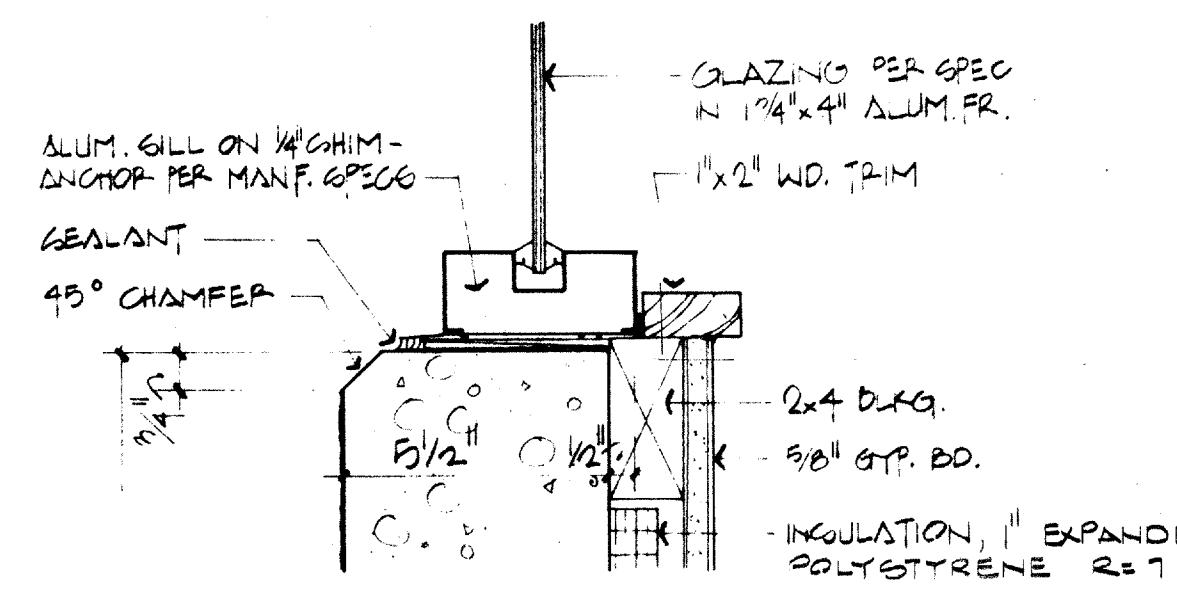
07 JAMB DETAIL
SC: 3/8"=1'-0"



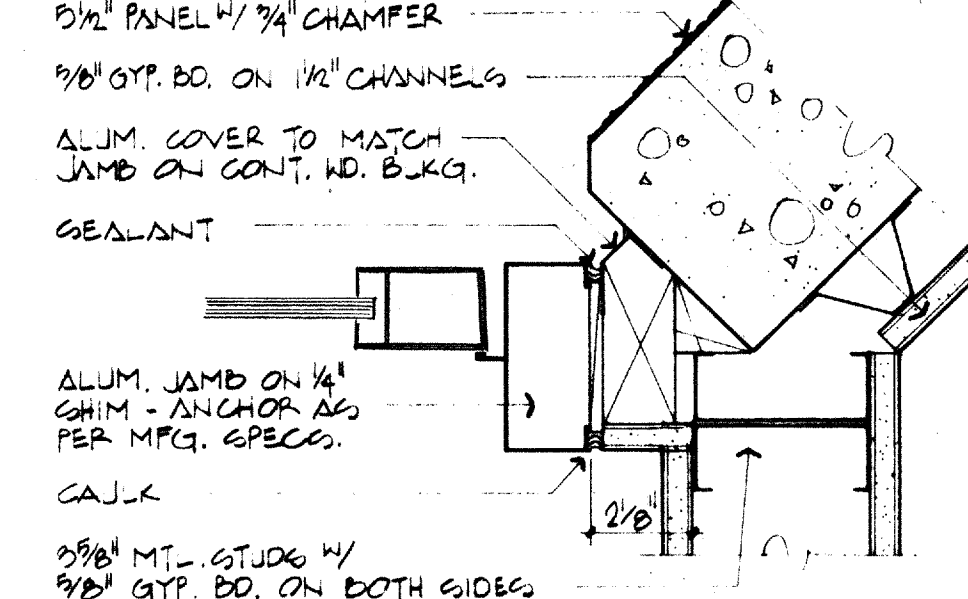
08 RETAINING WALL
SC: NONE



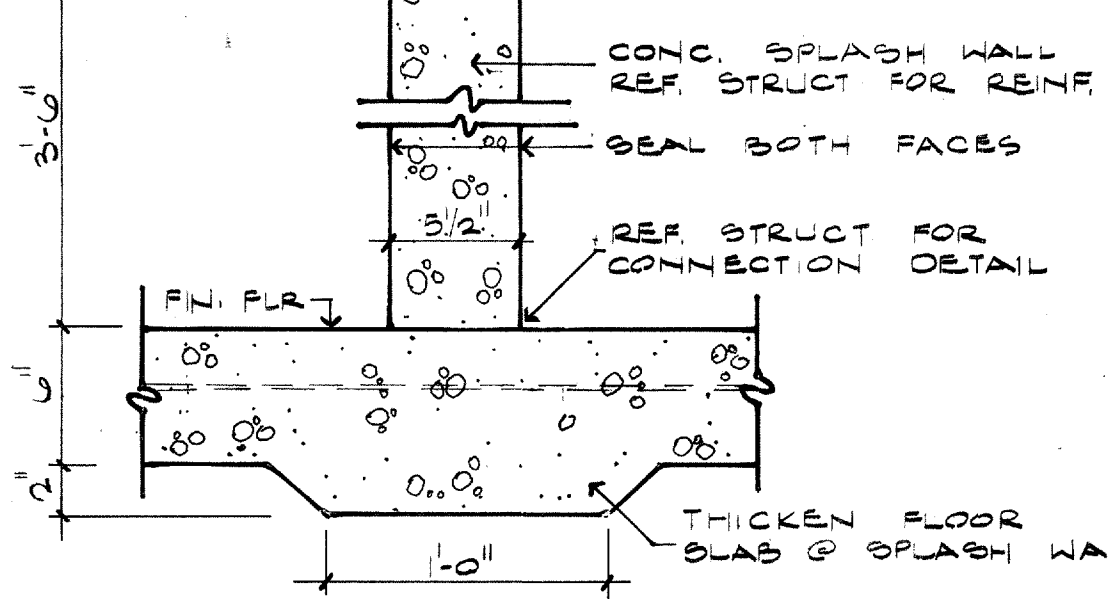
09 EXHAUST FAN
SC: 3/8"=1'-0"



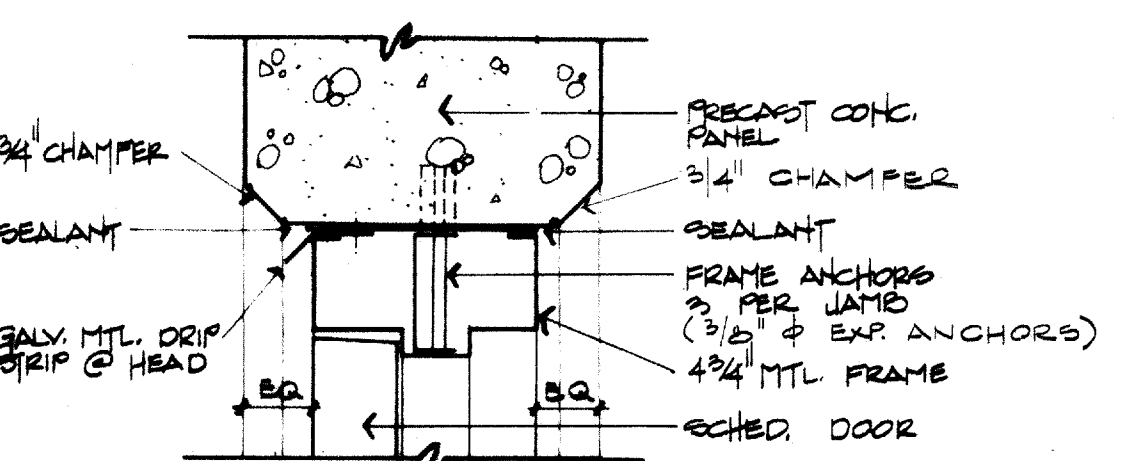
11 SILL DETAIL
SC: 3/8"=1'-0"



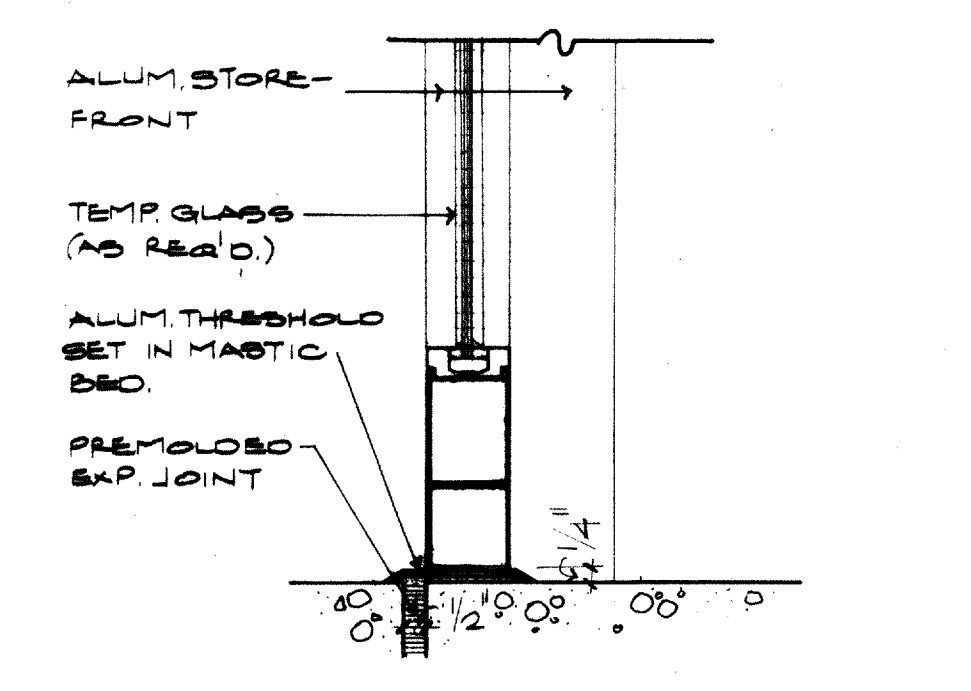
12 JAMB DETAIL
SC: 3/8"=1'-0"



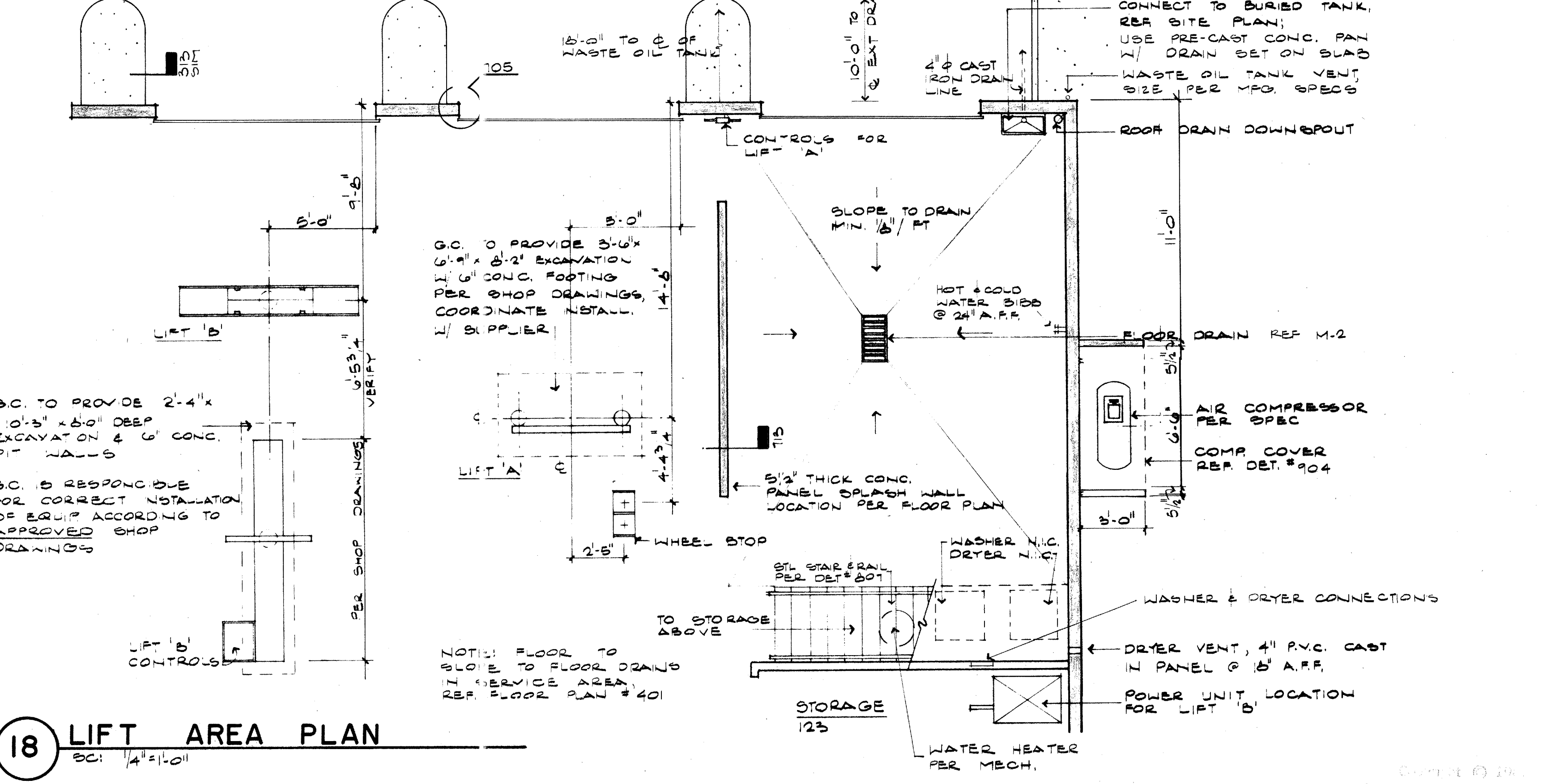
13 SPLASH WALL
SC: 1/2"=1'-0"



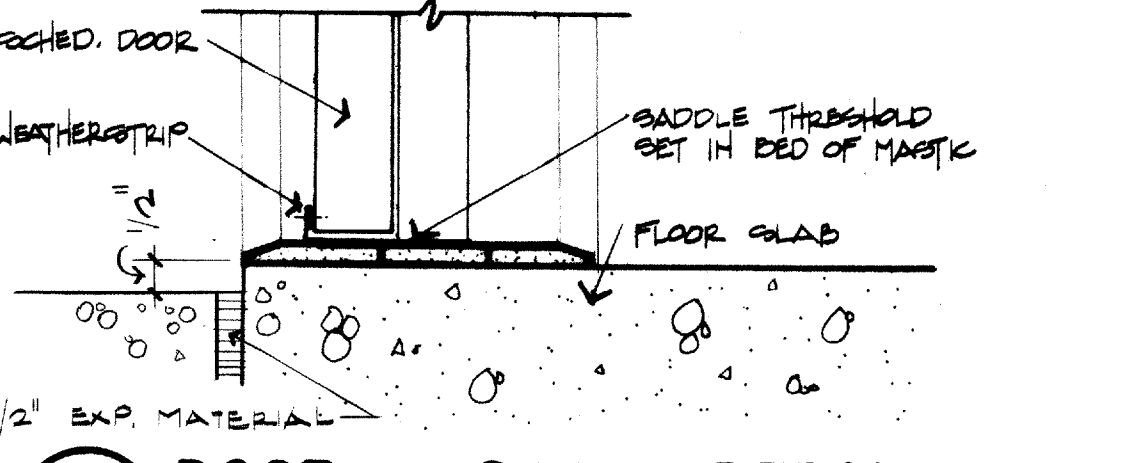
14 HEAD - JAMB SIMILAR
SCALE: 3/8"=1'-0"



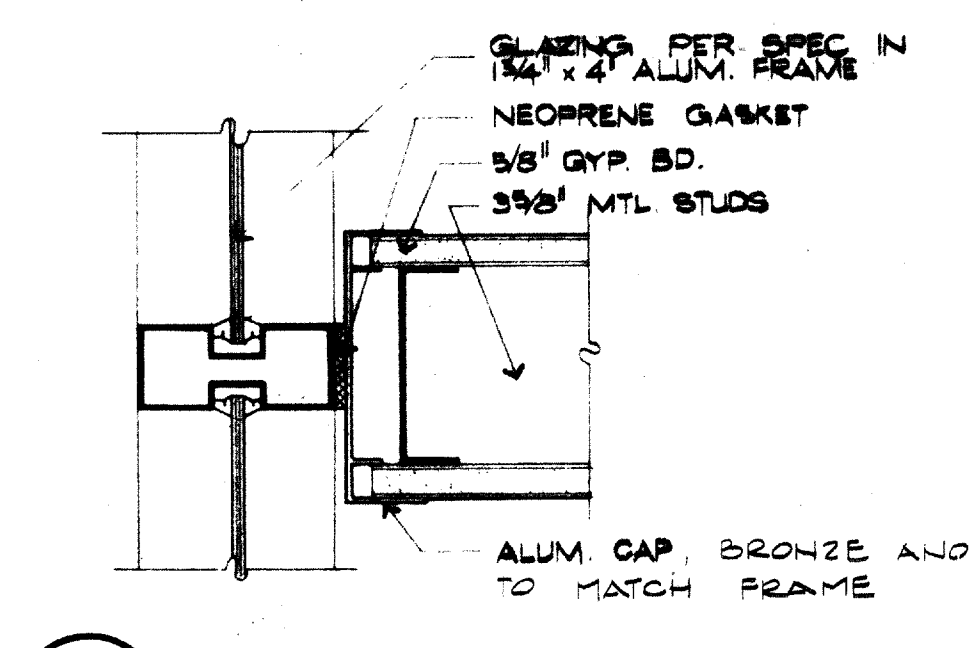
15 SILL DETAIL
SC: 3/8"=1'-0"



18 LIFT AREA PLAN
SC: 1/4"=1'-0"



16 DOOR SILL DETAIL
SCALE: 3/8"=1'-0"



17 MULLION DETAIL
SC: 3/8"=1'-0"

ED I CAPE HOPKINS CLEMENT, INC.
PLANNING-ARCHITECTURE-INTERIOR DESIGN
TWO NORTH-PARK EAST, 120 · DALLAS · 214 / 750-1945
AMERICAN INSTITUTE OF ARCHITECTS · AMER SOC CONSULTING PLANNERS

City of Addison
PUBLIC WORKS SERVICE CENTER
Dooley Road
Addison Texas

ISSUE DATE
6/12/85
REVISIONS

SHEET NUMBER
7